

JVC

SCHEMATIC DIAGRAMS

CD RECEIVER

KD-AR360, KD-G310

CD-ROM No.SML200503

Area suffix

J ----- Northern America

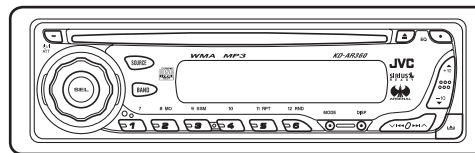


SIRIUS
READY

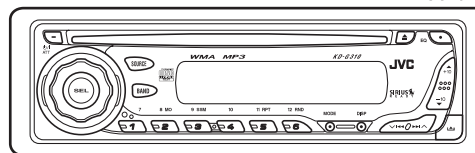
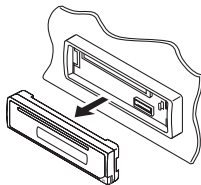
COMPACT
disc
DIGITAL AUDIO
TEXT

MP3

WMA



KD-AR360




KD-G310

	KD-AR360	KD-G310
LINE OUT	FRONT,REAR	REAR
TEL.MUTE	○	×

Contents

Block diagram (For J version)	2-1
Standard schematic diagrams (For J version)	2-3
Block diagram (For J2 version)	2-9
Standard schematic diagrams (For J2 version)	2-11
Block diagram (For J3 version)	2-17
Standard schematic diagrams (For J3 version)	2-19
Printed circuit boards	2-25 to 31

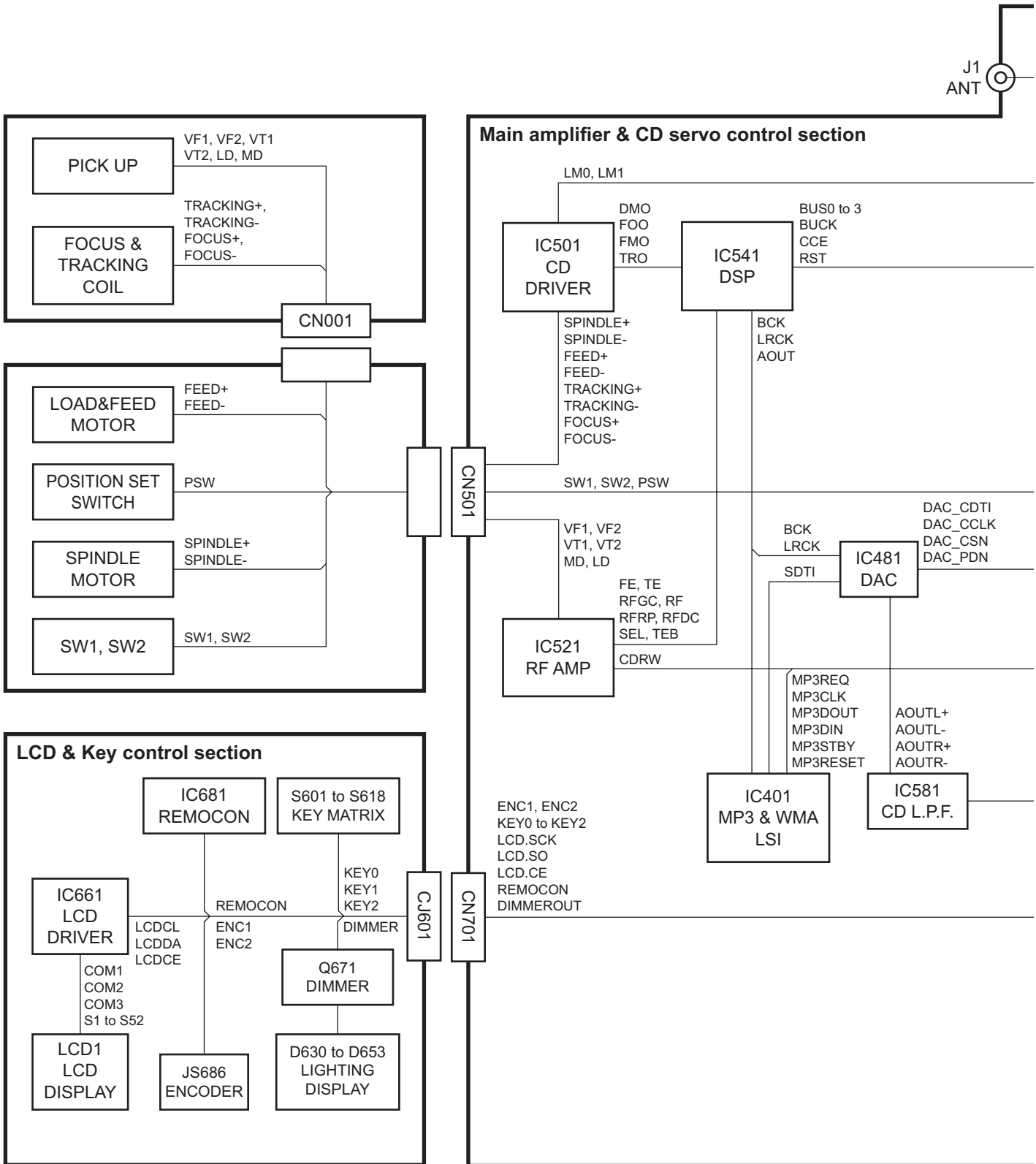
Safety precaution

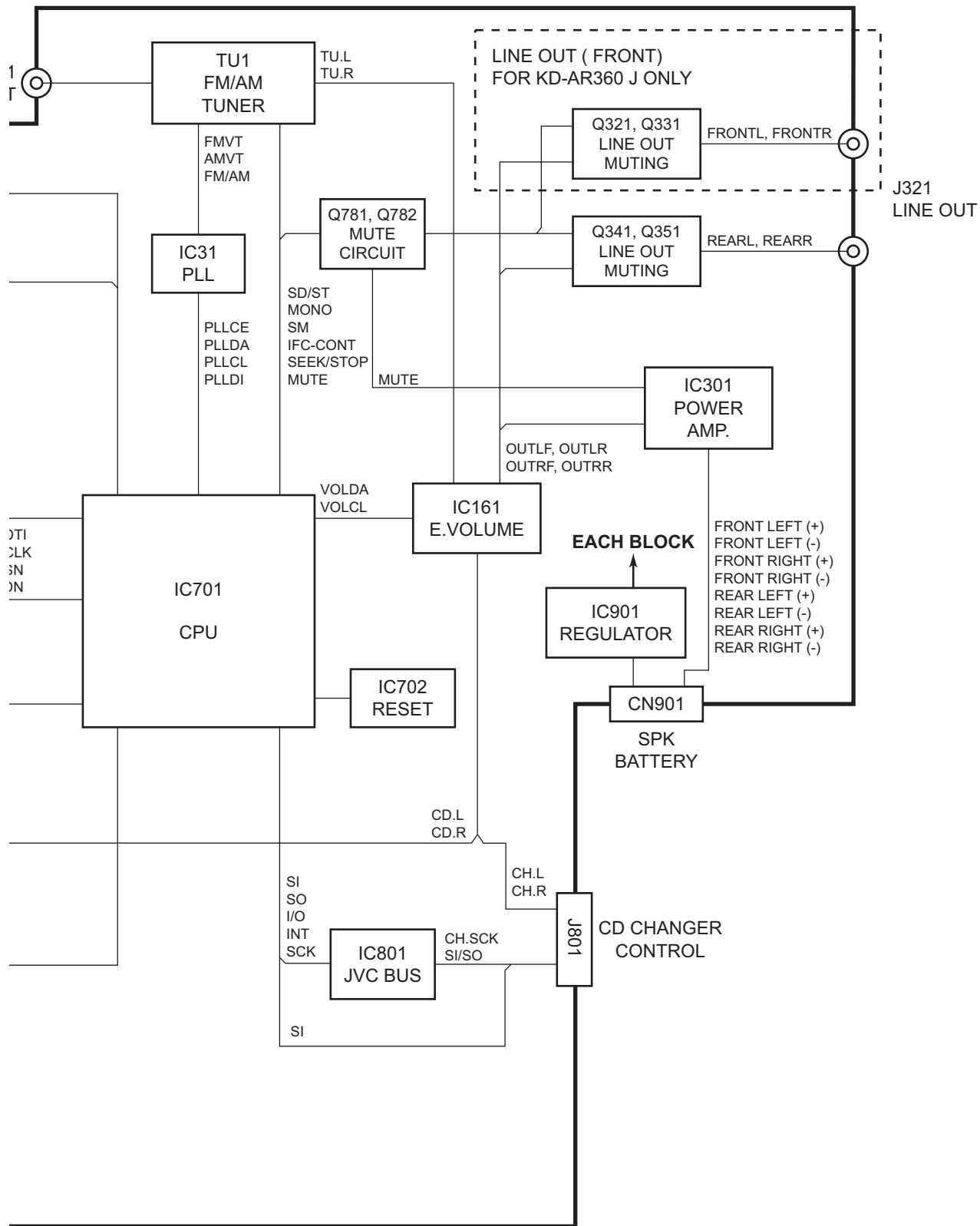
 **CAUTION** Burrs formed during molding may be left over on some parts of the chassis. Therefore, pay attention to such burrs in the case of performing repair of this system.

 **CAUTION** Please use enough caution not to see the beam directly or touch it in case of an adjustment or operation check.

< MEMO >

Block diagram (For J version)

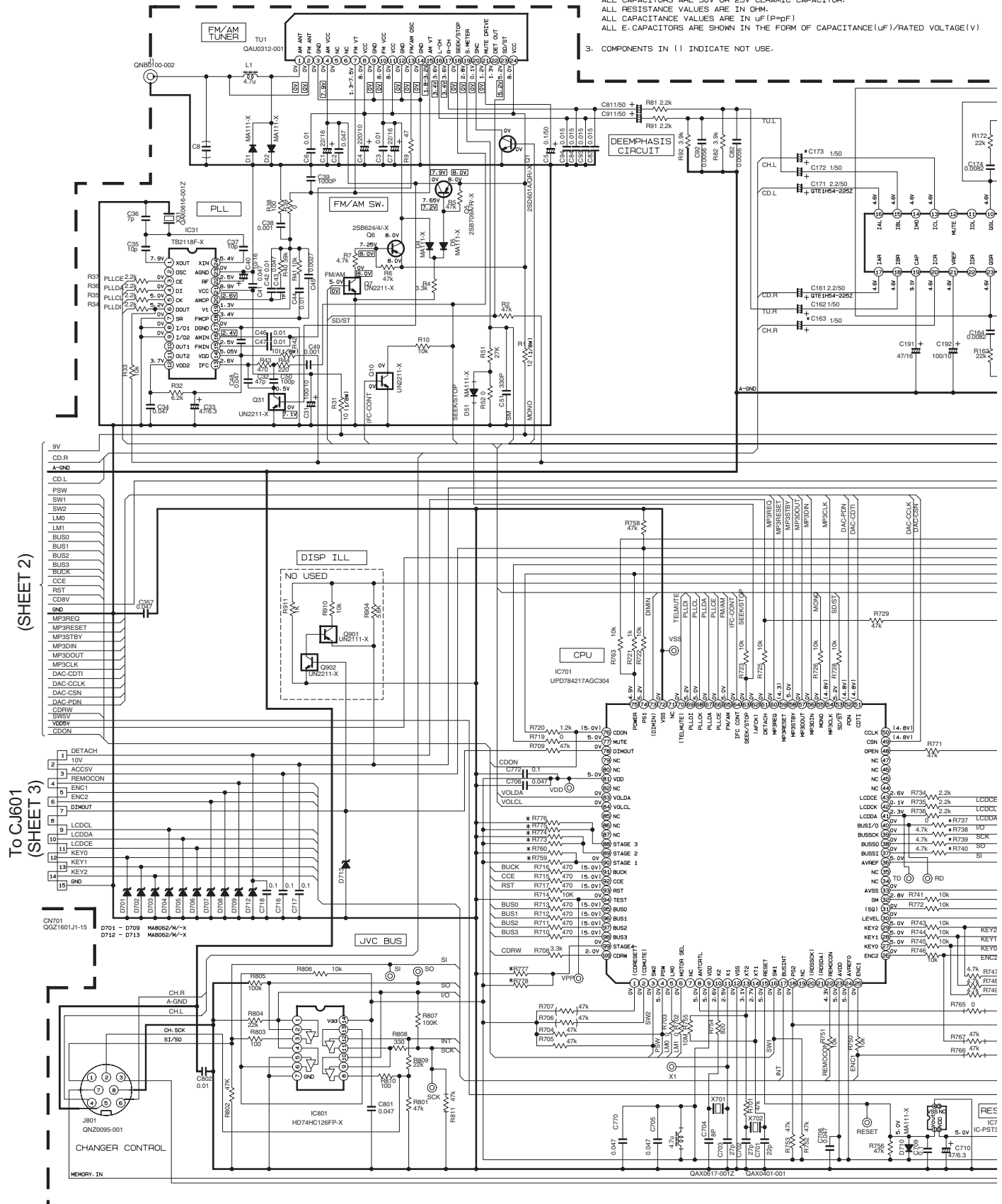


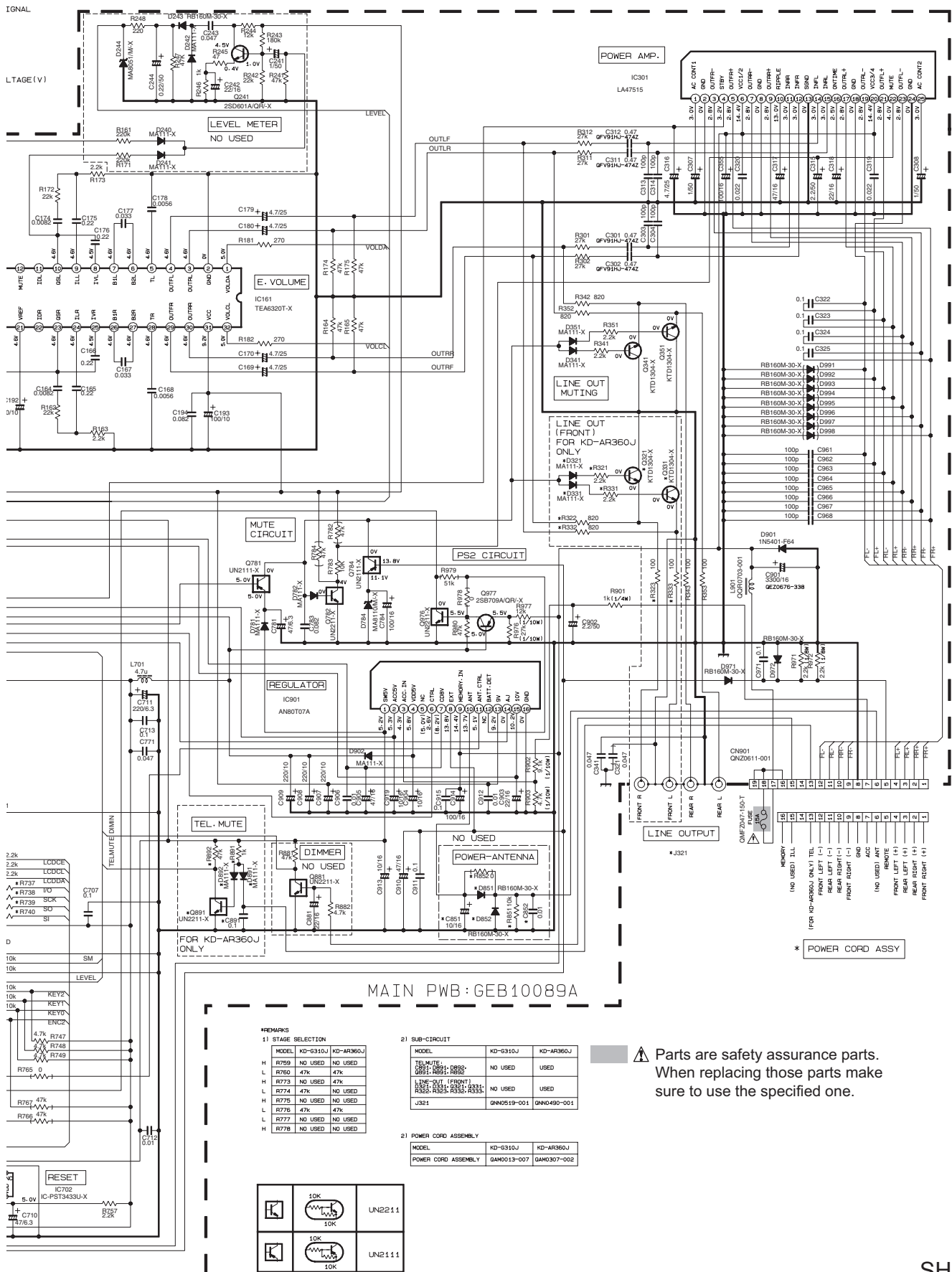


Standard schematic diagrams (For J version)

Main amplifier section

- NOTES
1. VOLTAGES ARE DC-MEASURED WITH A DIGITAL VOLT METER WITHOUT INPUT SIGNAL CONDITION---FM MODE. □ AM MODE. () C/D MODE.
 2. UNLESS OTHERWISE SPECIFIED, ALL RESISTORS ARE 1/16W 5% METAL GLAZE RESISTOR. ALL CAPACITORS ARE 50V OR 25V CERAMIC CAPACITOR. ALL RESISTANCE VALUES ARE IN OHM. ALL CAPACITANCE VALUES ARE IN UF(P=PF) ALL E-CAPACITORS ARE SHOWN IN THE FORM OF CAPACITANCE(UF)/RATED VOLTAGE(V)
 3. COMPONENTS IN () INDICATE NOT USE.





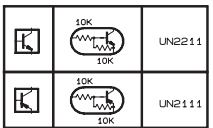
MAIN PWB: GEB10089A

REMARKS

1) STAGE SELECTION			
MODEL	KD-6310J	KD-AR360J	
H	R759	NO USED	NO USED
L	R760	47k	47k
H	R773	NO USED	47k
L	R774	47k	NO USED
H	R775	NO USED	NO USED
L	R776	47k	47k
H	R777	NO USED	NO USED
H	R778	NO USED	NO USED

2) SUB-CIRCUIT			
MODEL	KD-6310J	KD-AR360J	
TEL. MUTE	D890, D891, R891, R892	NO USED	USED
RESET	IC702, R747, R748, R749	NO USED	USED
PS2	R323, R325, R330, R333	NO USED	USED
J321	QNN0519-001	QNN0490-001	

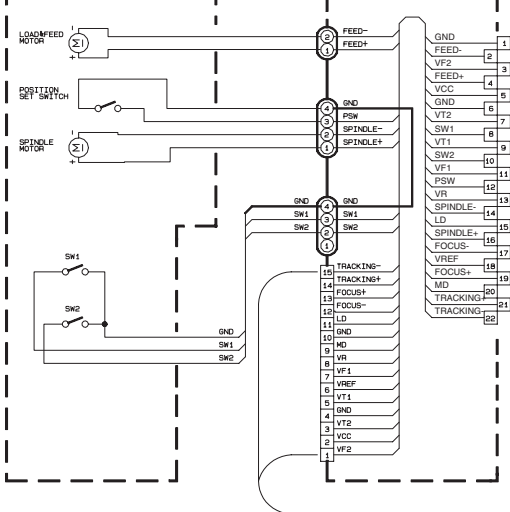
2) POWER CORD ASSEMBLY			
MODEL	KD-6310J	KD-AR360J	
POWER CORD ASSEMBLY	GAM0313-007	GAM0307-002	



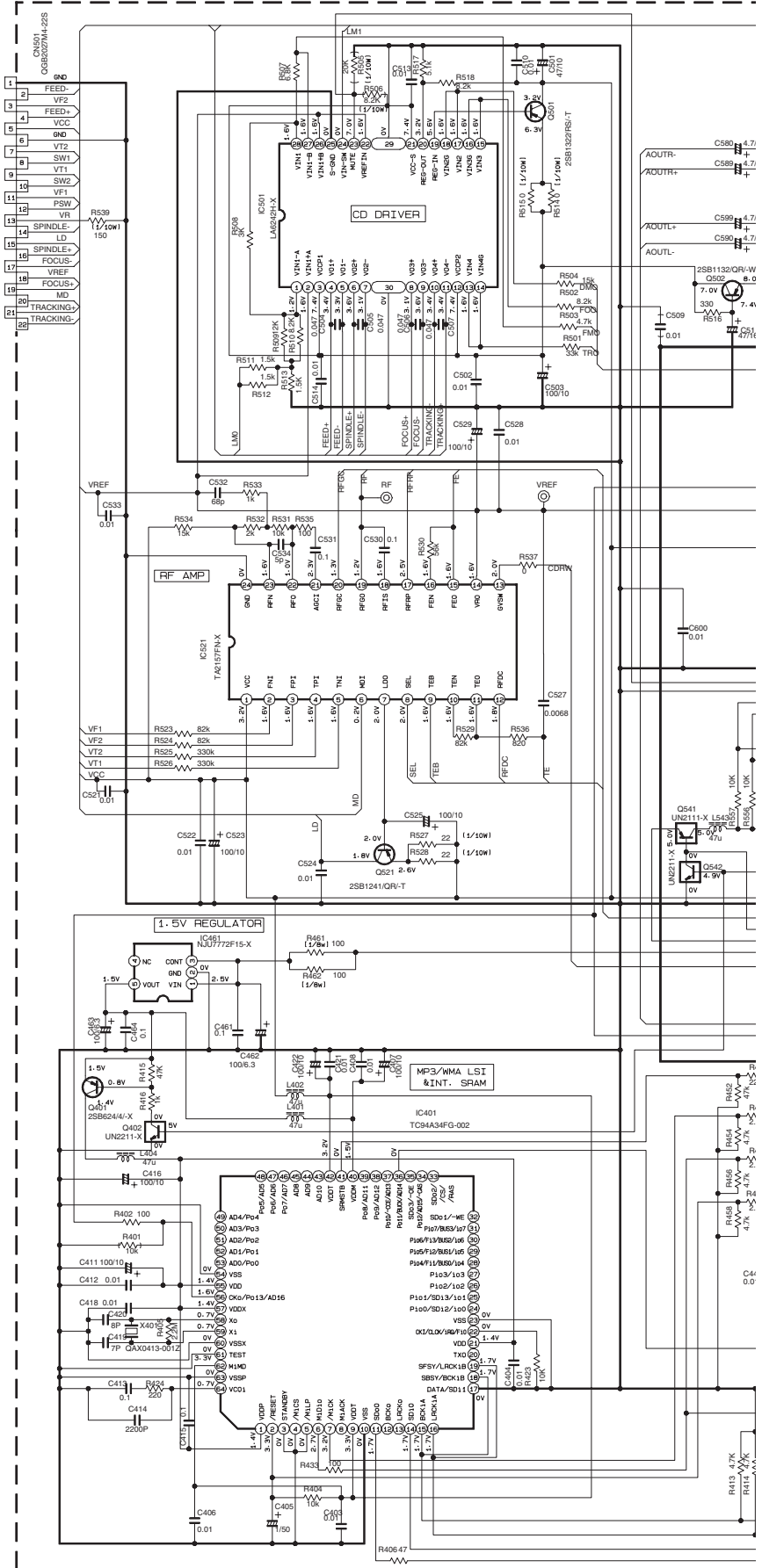
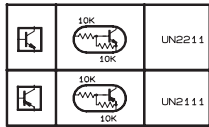
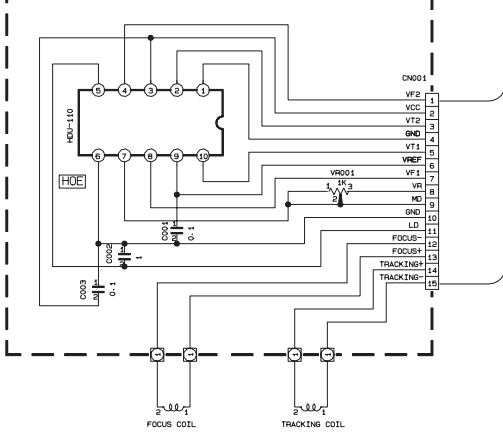
⚠ Parts are safety assurance parts.
When replacing those parts make sure to use the specified one.

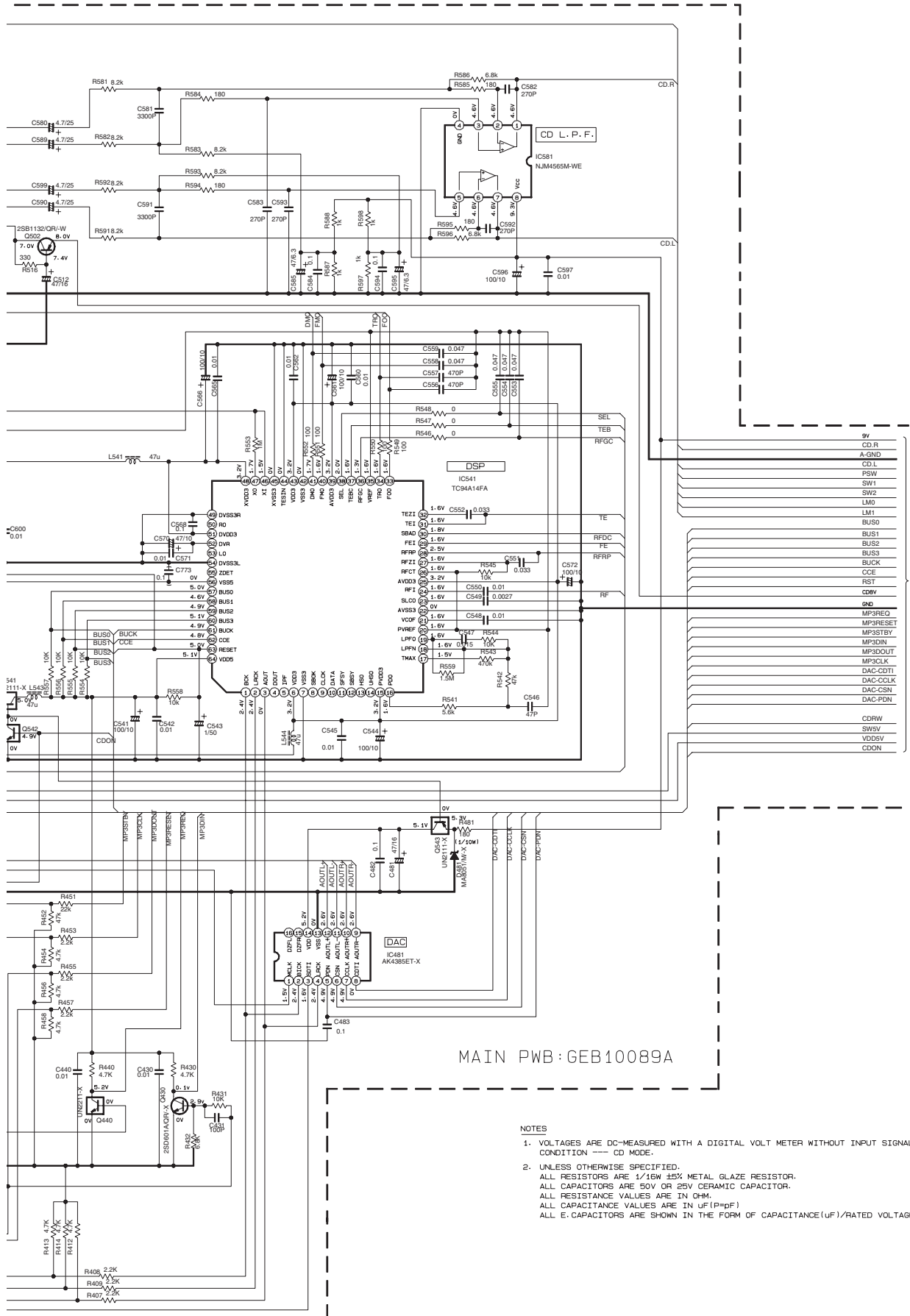
CD servo section

MECHA: BDL1140-002M



PICK UP (OPTIMA-725)

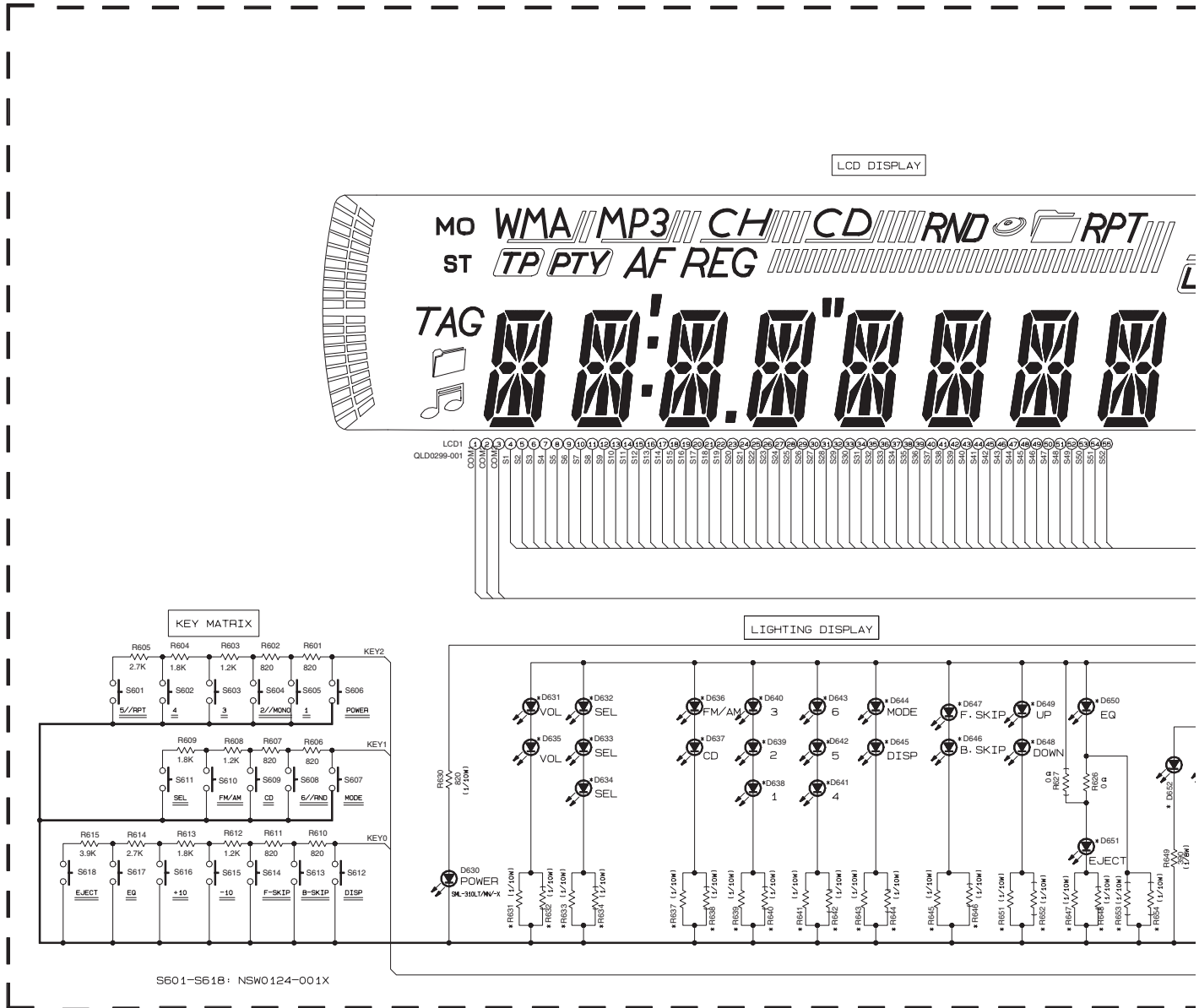




(SHEET 1)

- NOTES
1. VOLTAGES ARE DC-MEASURED WITH A DIGITAL VOLT METER WITHOUT INPUT SIGNAL CONDITION — CD MODE.
 2. UNLESS OTHERWISE SPECIFIED:
 ALL RESISTORS ARE 1/16W ±5% METAL GLAZE RESISTOR.
 ALL CAPACITORS ARE 50V OR 25V CERAMIC CAPACITOR.
 ALL RESISTANCE VALUES ARE IN OHM.
 ALL CAPACITANCE VALUES ARE IN uF (P=pF)
 ALL E. CAPACITORS ARE SHOWN IN THE FORM OF CAPACITANCE(uF)/RATED VOLTAGE(V)

LCD & Key control section

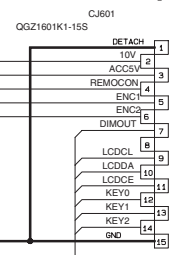
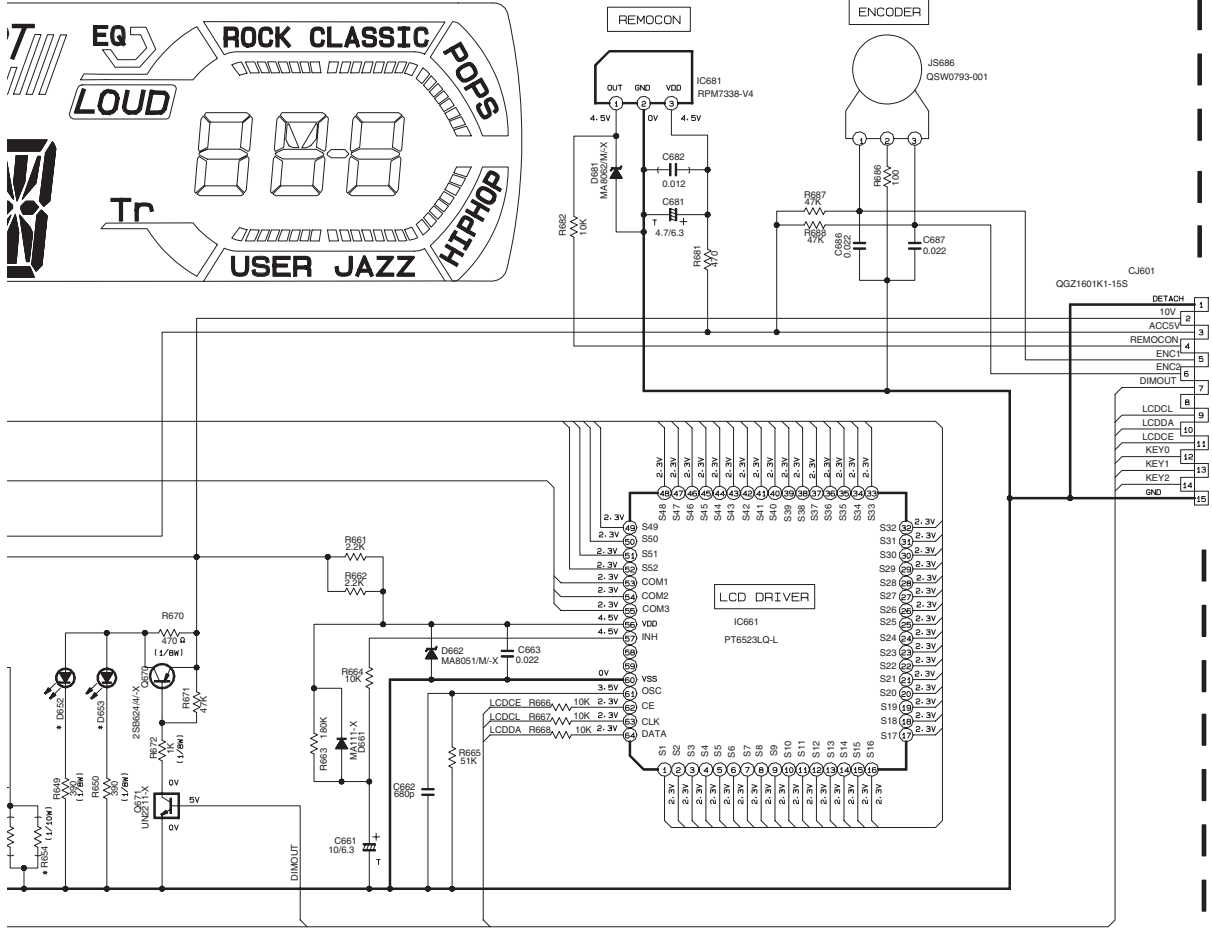
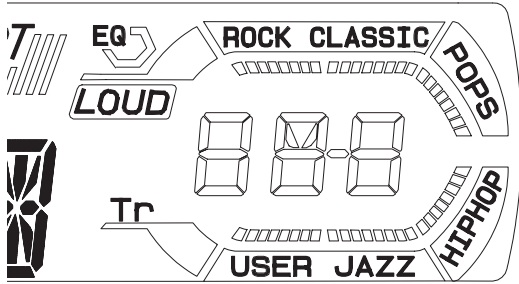


S601-S618: NSW0124-001X

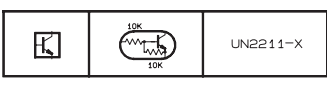
***REMARKS**

	MODEL	KD-G310J	KD-AR360J
LCD1	QLD0299-001	QLD0299-001	
	D631-D635, D639-D643, D646-D651	SML-310VT/JK/-X	SML-310VT/JK/-X
FM/AM & CD	D636, D637	SML-310VT/JK/-X	LNJ308681/1-3/X
MODE & DISP	D644, D645	SML-310VT/JK/-X	SML-310VT/JK/-X
	D652, D653	NSPW310BS/BRS/	NSPW310BS/BRS/
POWER	R630	820	820
VOL	R631	470	470
SEL	R633	680	680
FM/AM & CD	R637	820	470
1. 2. 3	R639	330	330
4. 5. 6	R641	330	330
MODE & DISP	R643	470	470
(>>1, 1<<)	R645	470	470
EQ, EJECT	R647	470	470
(UP, DOWN)	R651	470	470

SML-310VT/JK/-X = RED LED
LNJ308681/1-3/X = GREEN LED

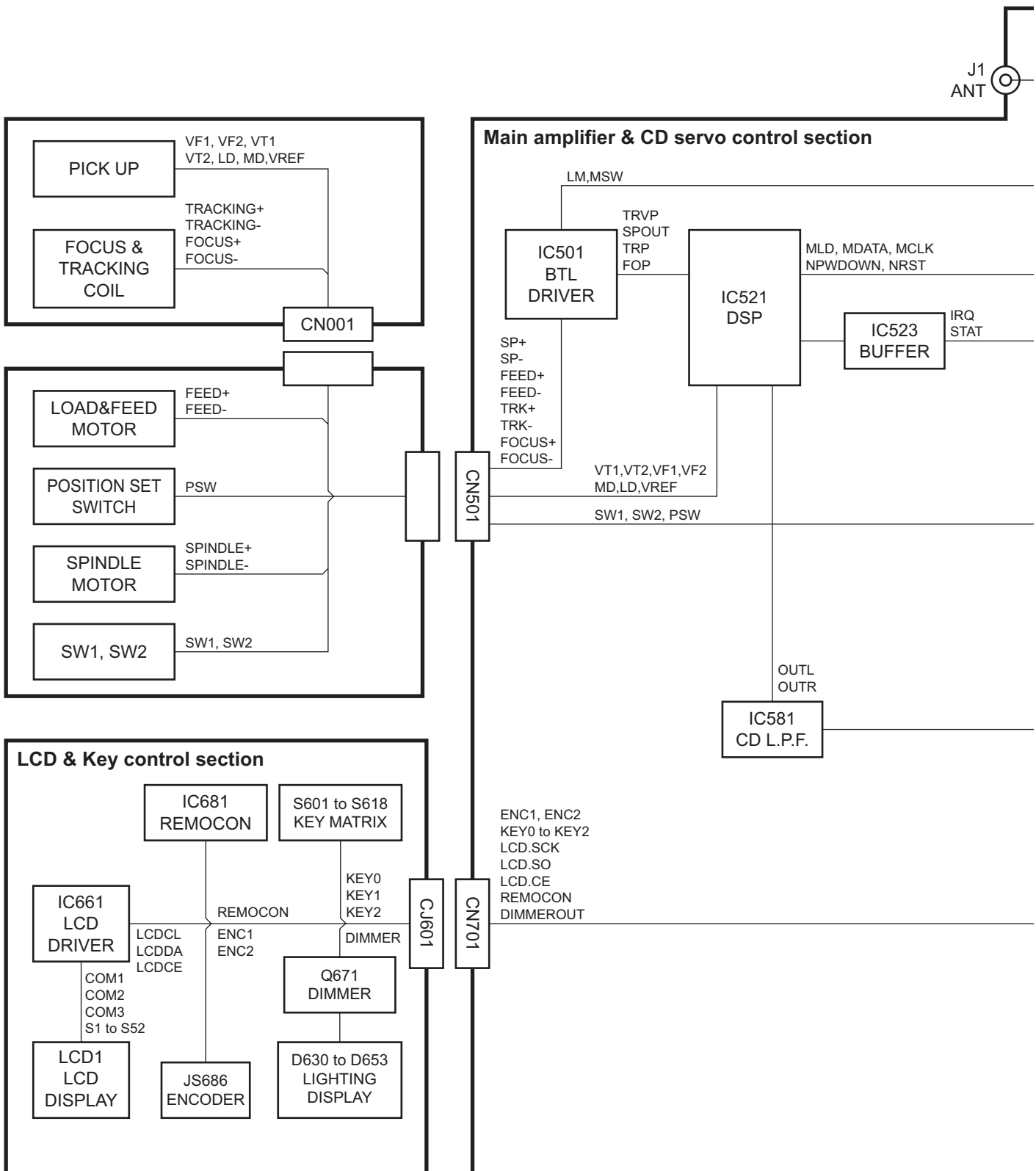


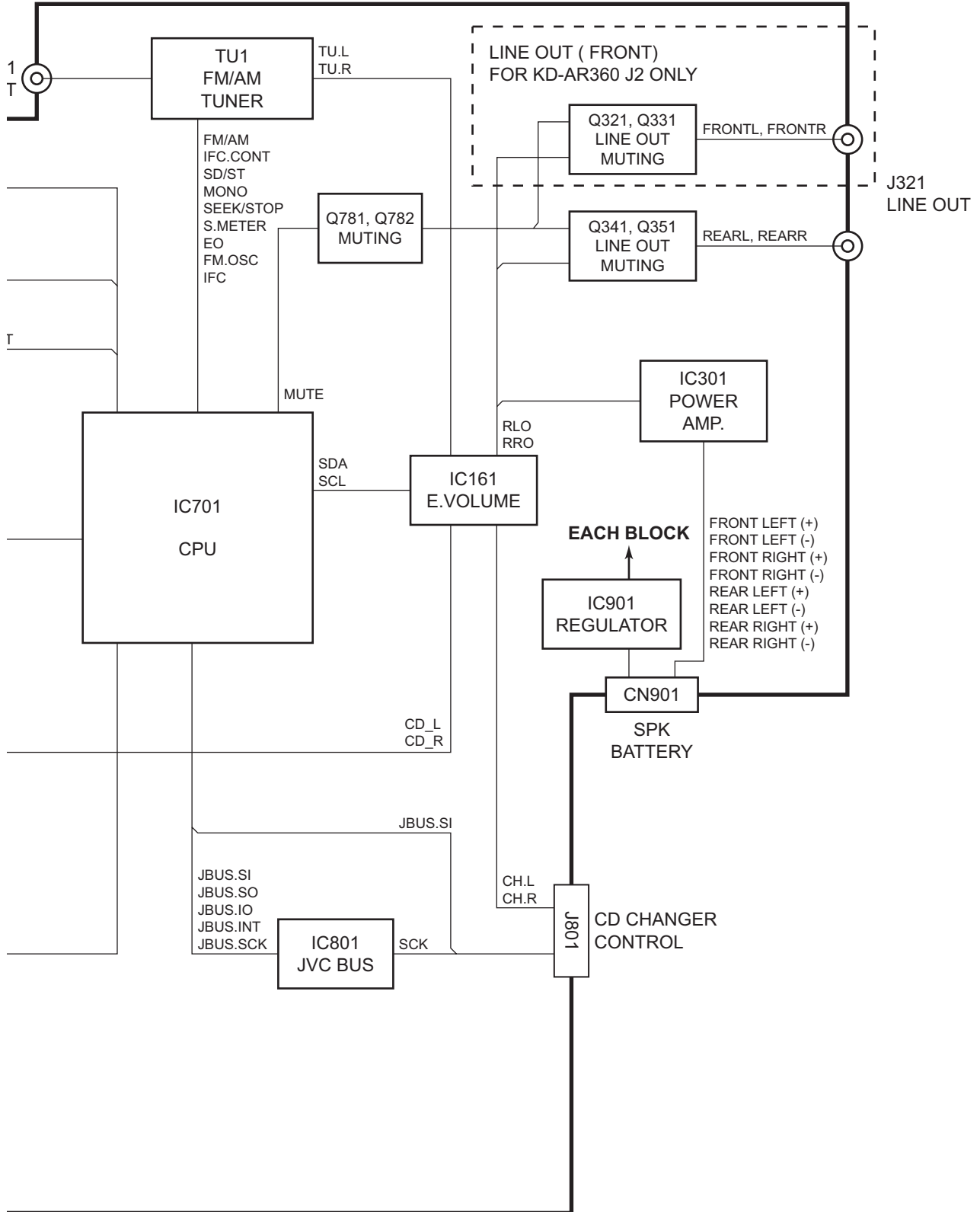
To CN701
(SHEET 1)



- NOTES
- VOLTAGES ARE DC-MEASURED WITH A DIGITAL VOLT METER WITHOUT INPUT SIGNAL.
 - UNLESS OTHERWISE SPECIFIED.
ALL RESISTORS ARE 1/16W ±5% METAL GLAZE RESISTOR.
ALL CAPACITORS ARE 50V OR 25V CERAMIC CAPACITOR.
ALL RESISTANCE VALUES ARE IN OHM.
ALL CAPACITANCE VALUES ARE IN uF (P=PF)
ALL E-CAPACITORS ARE SHOWN IN THE FORM OF CAPACITANCE(uF)/RATED VOLTAGE(V)
T --- TANTALUM CAPACITOR.
 - COMPONENTS IN () INDICATE NOT USE.

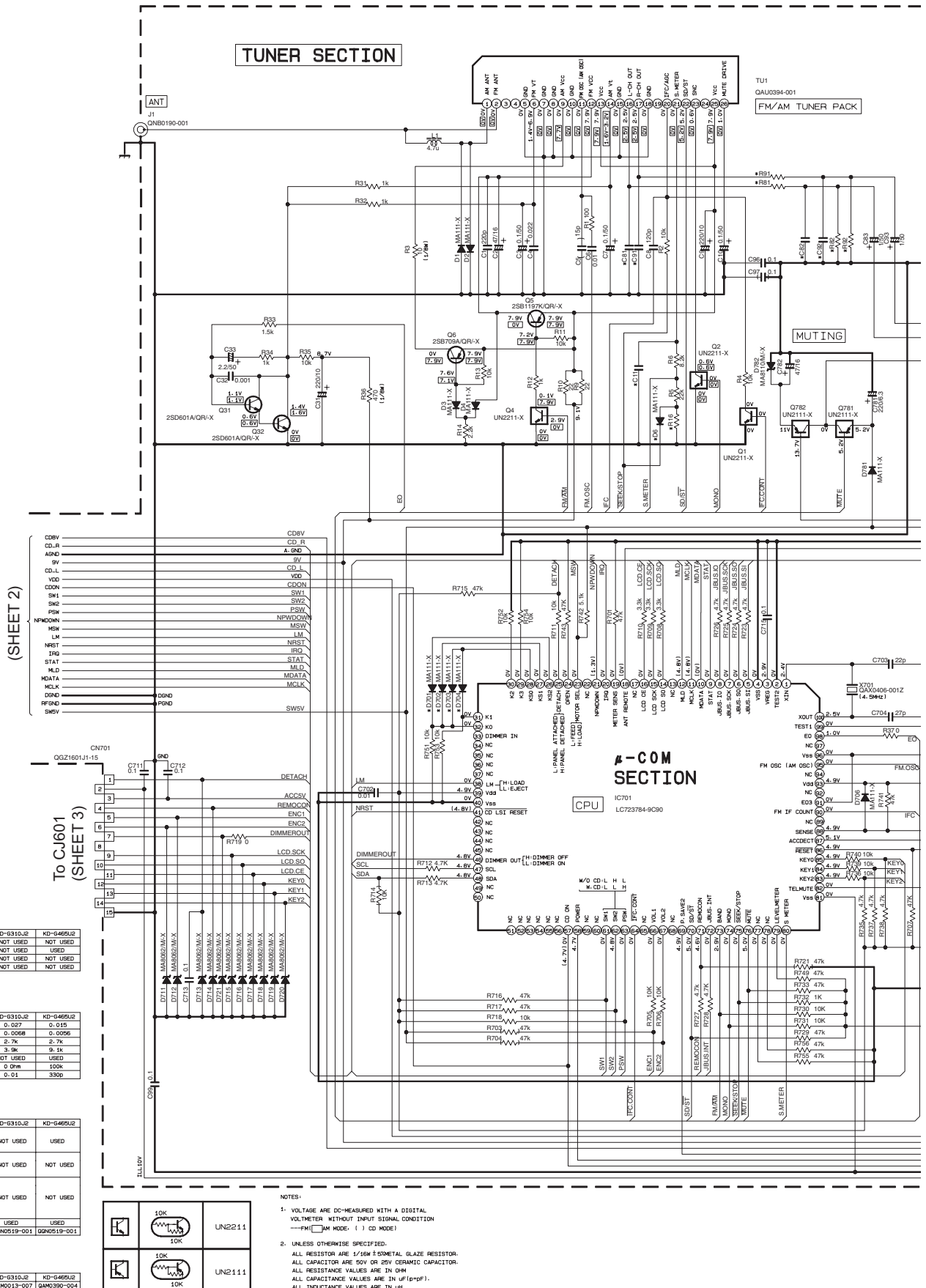
Block diagram (For J2 version)



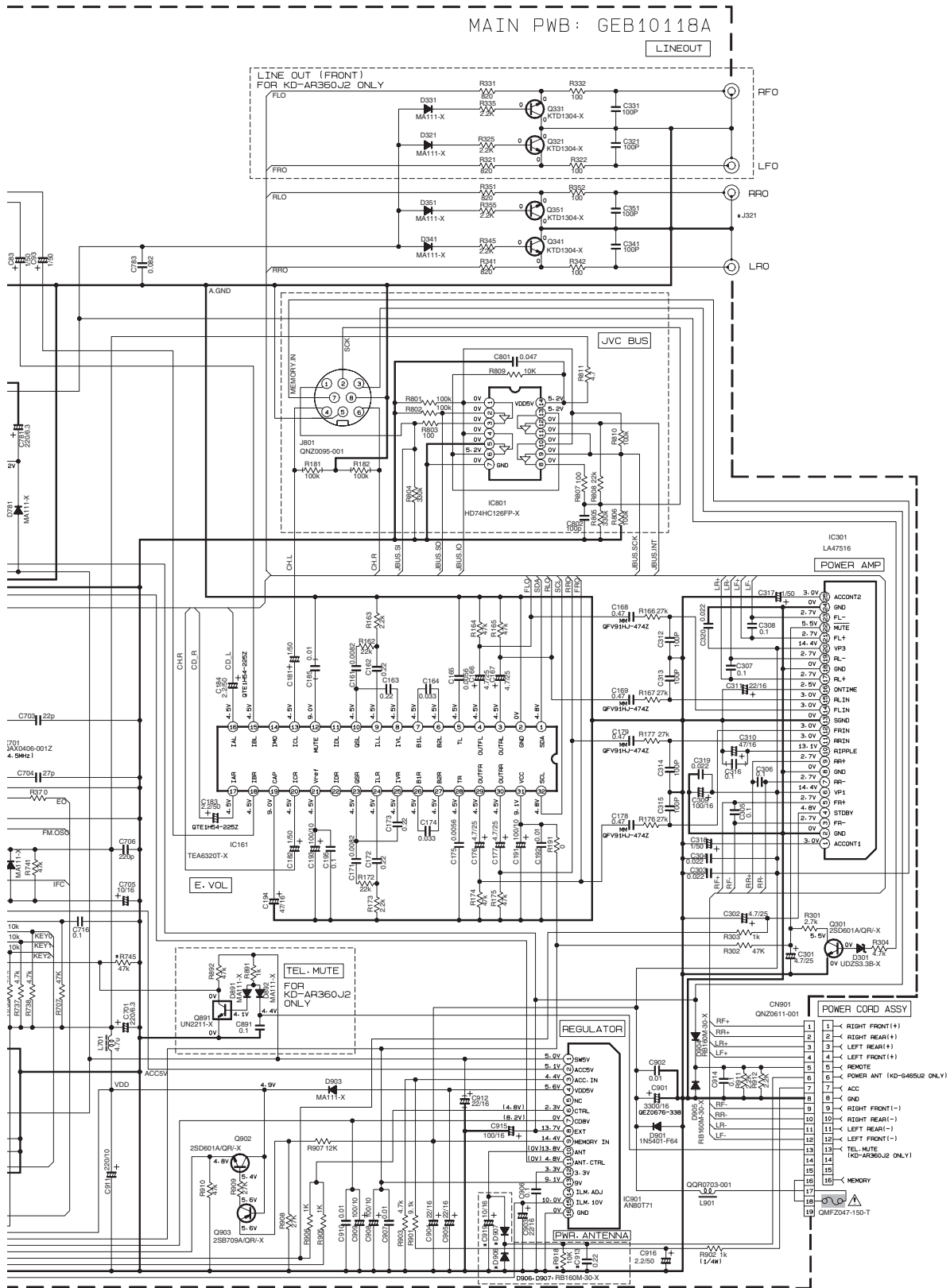


Standard schematic diagrams (For J2 version)

Main amplifier section

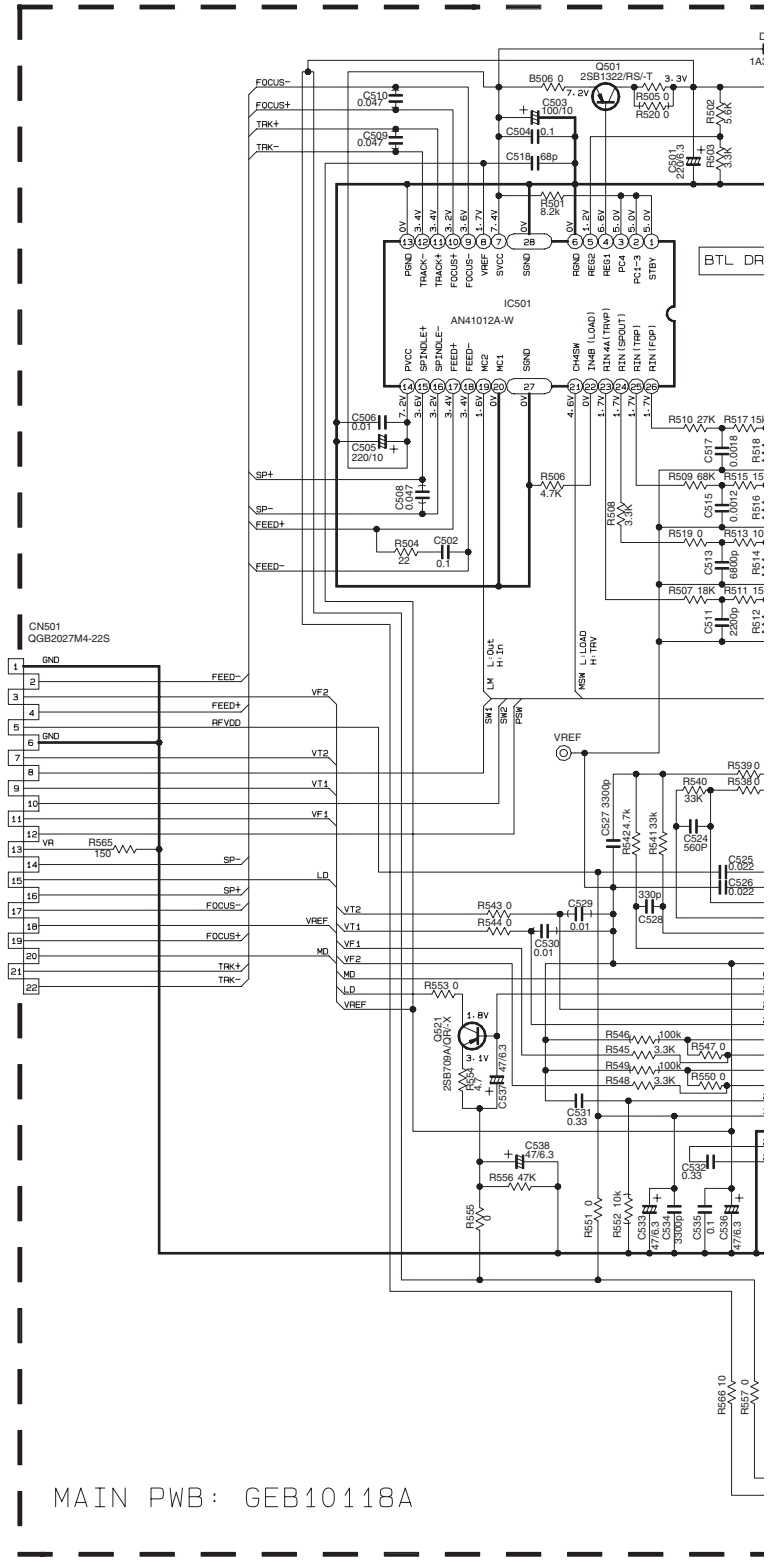
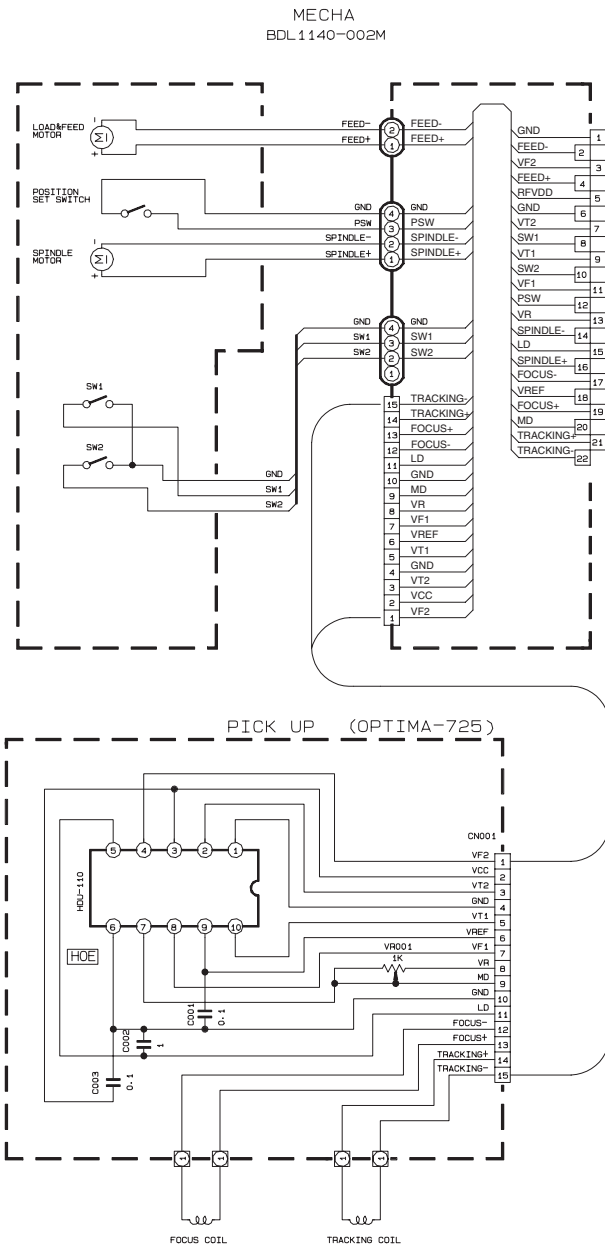


MAIN PWB: GEB10118A



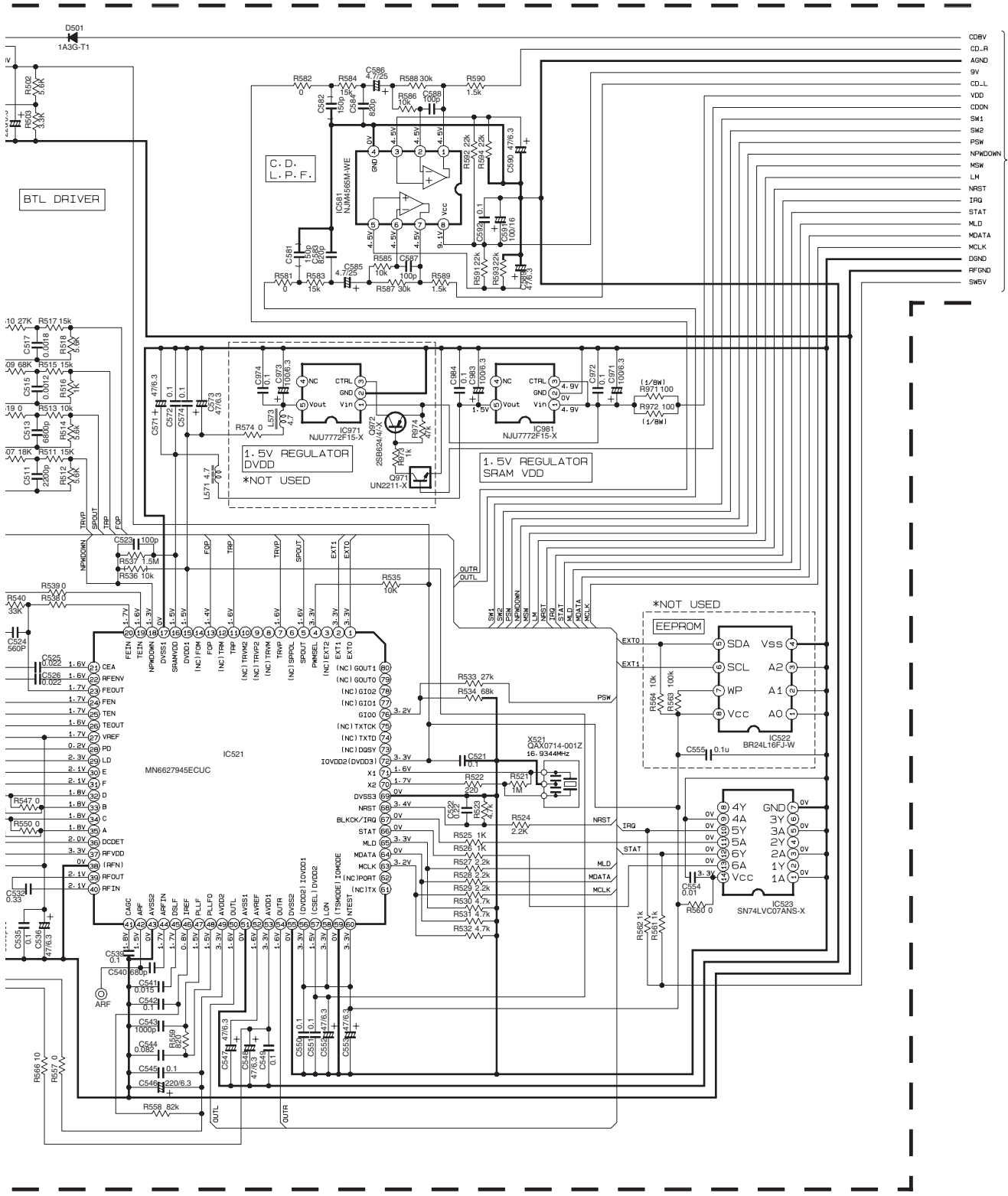
▲ Parts are safety assurance parts.
When replacing those parts make
sure to use the specified one.

CD servo control section



		UN2211-X
		UN2111-X

- NOTES:
- VOLTAGE ARE DC-MEASURED WITH A DIGITAL VOLTMETER WITHOUT INPUT SIGNAL CONDITION
--- CD MODE.
 - UNLESS OTHERWISE SPECIFIED, ALL RESISTOR ARE 1/16W ±5%METAL GLAZE RESISTOR. ALL CAPACITOR ARE 50V OR 25V CERAMIC CAPACITOR. ALL RESISTANCE VALUES ARE IN OHM. ALL CAPACITANCE VALUES ARE IN UF(p=PF). ALL INDUCTANCE VALUES ARE IN uH. ALL E. CAPACITORS ARE SHOWN IN THE FORM OF CAPACITANCE(UF)/RATE

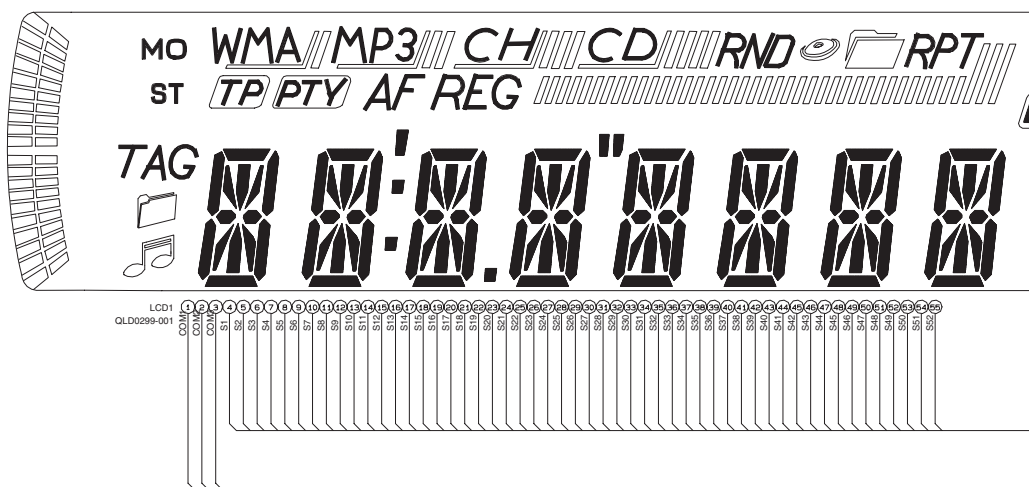


(SHEET 1)

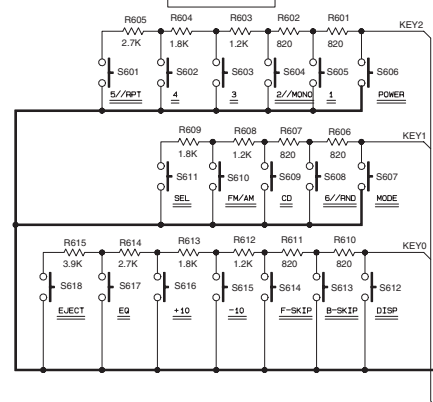
TANCE(UF)/RATED VOLTAGE(V)

■ LCD & Key control section

LCD DISPLAY

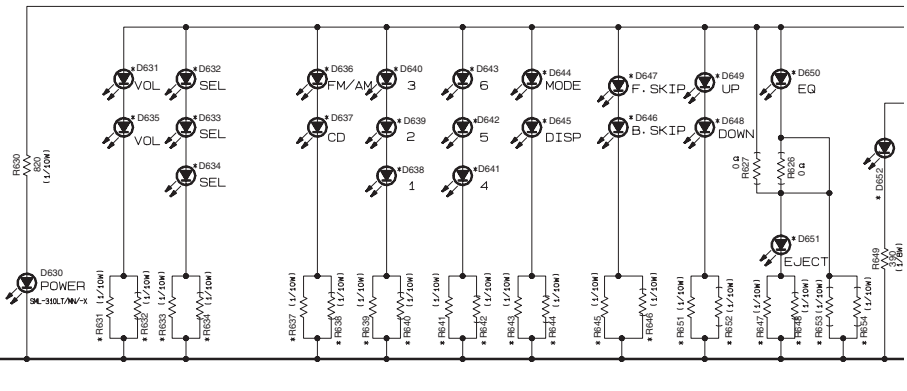


KEY MATRIX



S601-S618: NSW0124-001X

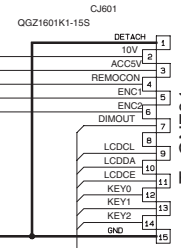
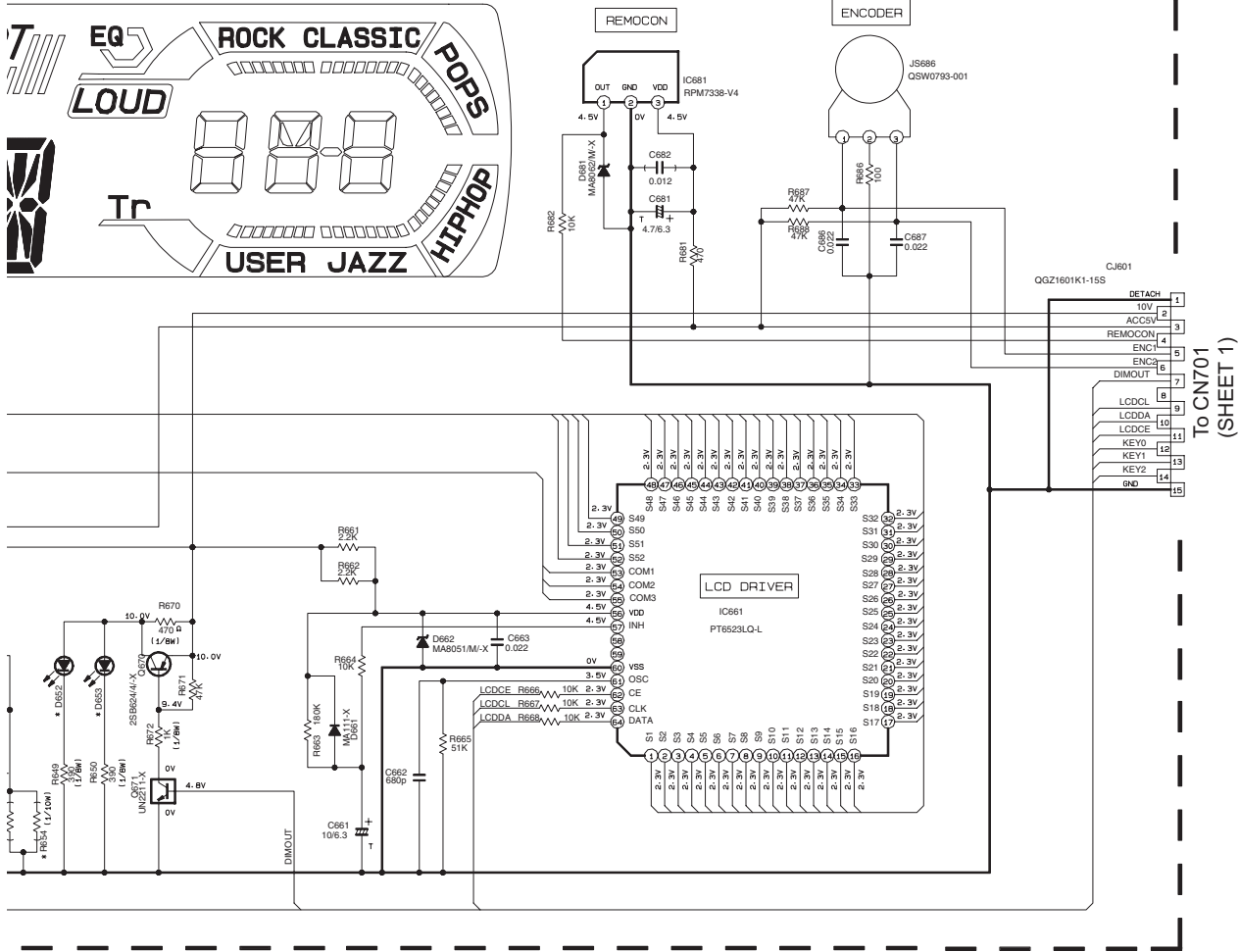
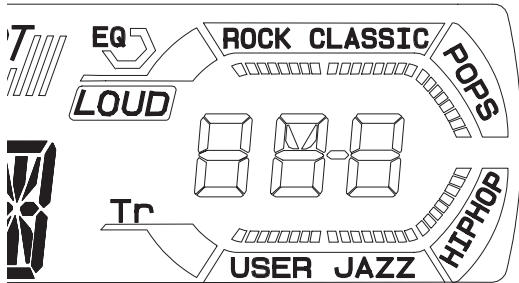
LIGHTING DISPLAY



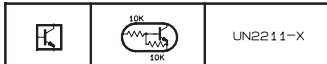
*REMARKS

	MODEL	KD-6310J2 KD-6465U2 SERIES	KD-AR360J2	
LCD1	QLD0299-001	QLD0299-001	QLD0299-001	
FM/AM & CD	D631-D635, D638-D643, D646-D651	SML-310VT/JK/-X	SML-310VT/JK/-X	
	D636, D637	SML-310VT/JK/-X	LNJ308GB1/1-3/X	
MODE & DISP	D644, D645	SML-310VT/JK/-X	SML-310VT/JK/-X	
	D652, D653	NSPW310BS/BRS/	NSPW310BS/BRS/	
POWER	R630	820	820	
VOL	R631	470	470	
SEL	R633	680	680	
FM/AM & CD	R637	820	470	
	1. 2. 3	R639	330	330
	4. 5. 6	R641	330	330
MODE & DISP	R643	470	470	
	(>>1, 1<<)	R645	470	470
EQ, EJECT	R647	470	470	
(UP, DOWN)	R651	470	470	

SML-310VT/JK/-X = RED LED
LNJ308GB1/1-3/X = GREEN LED

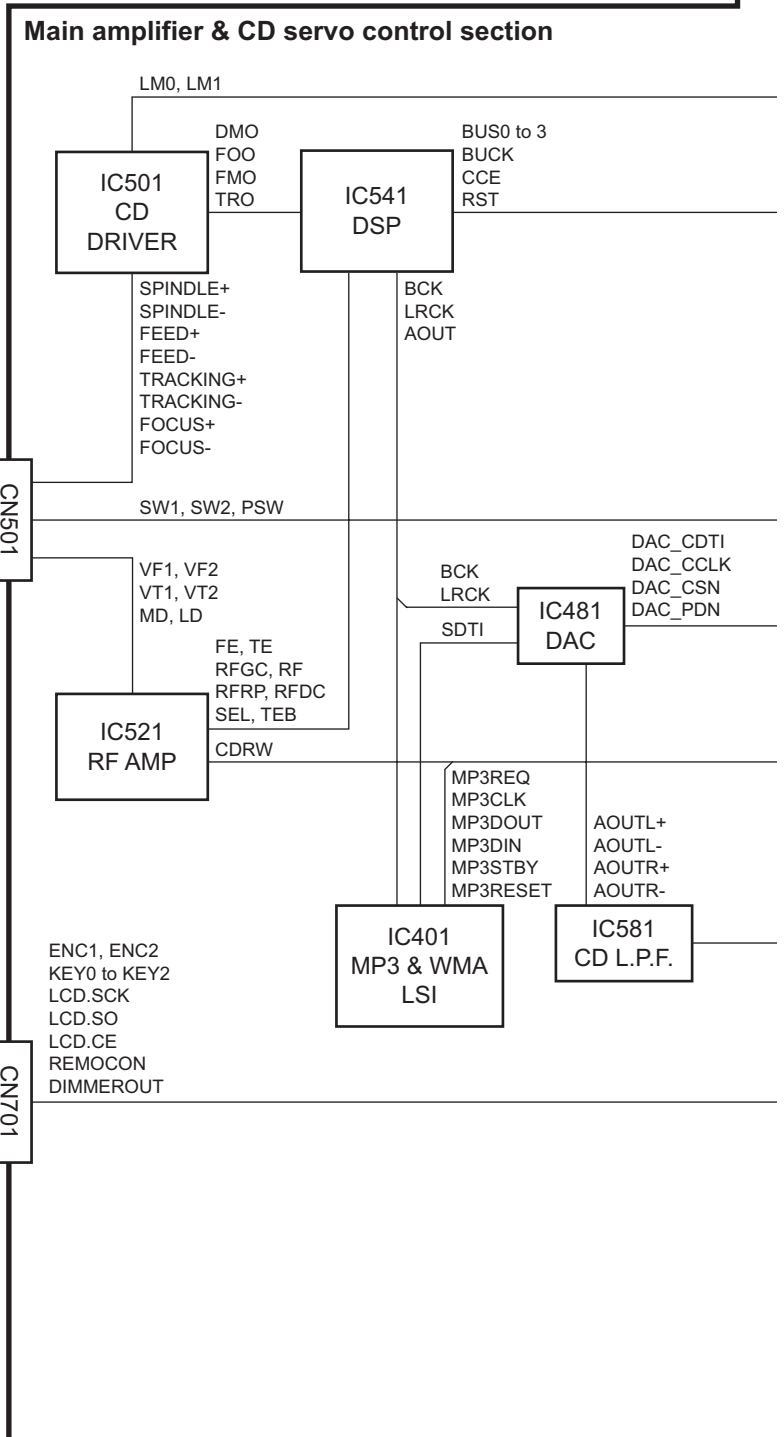
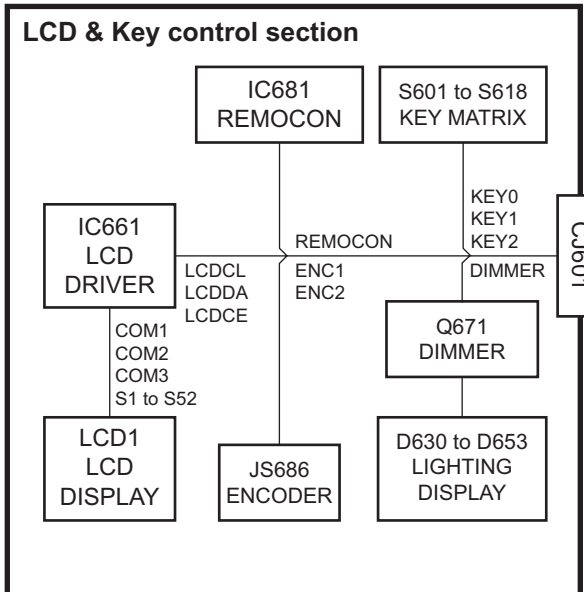
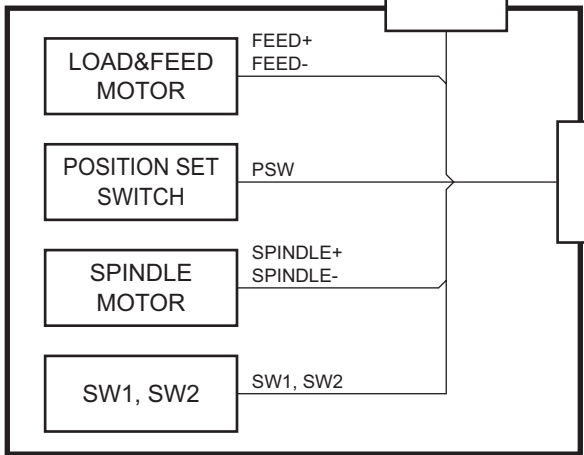
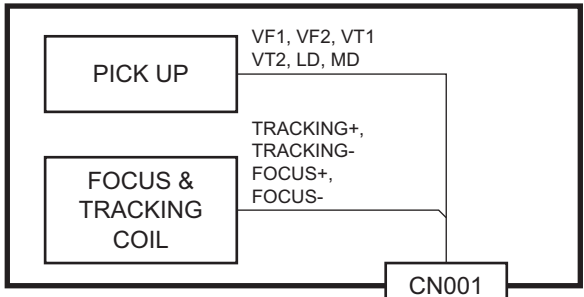
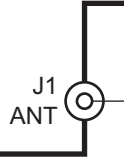


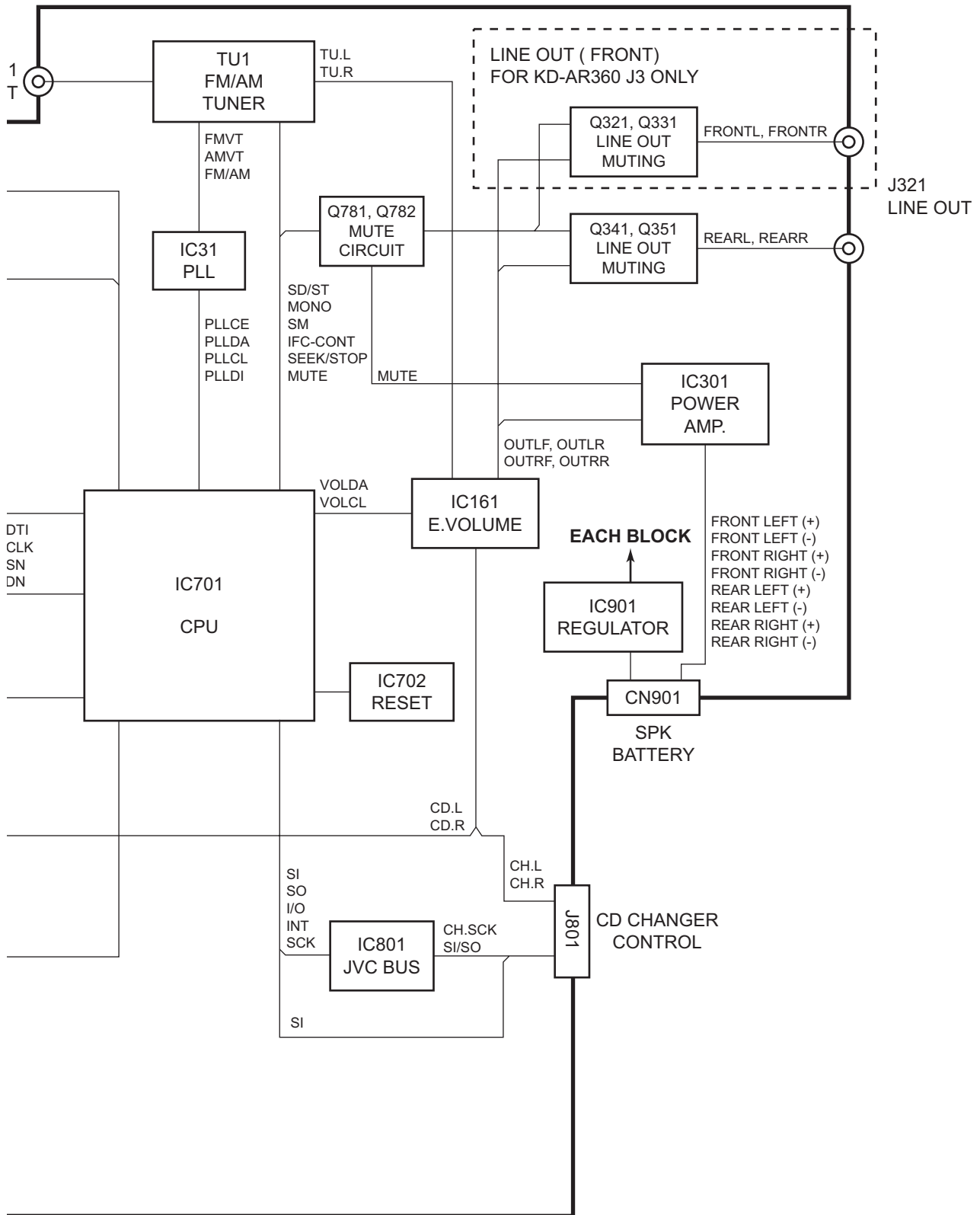
To CN701
(SHEET 1)

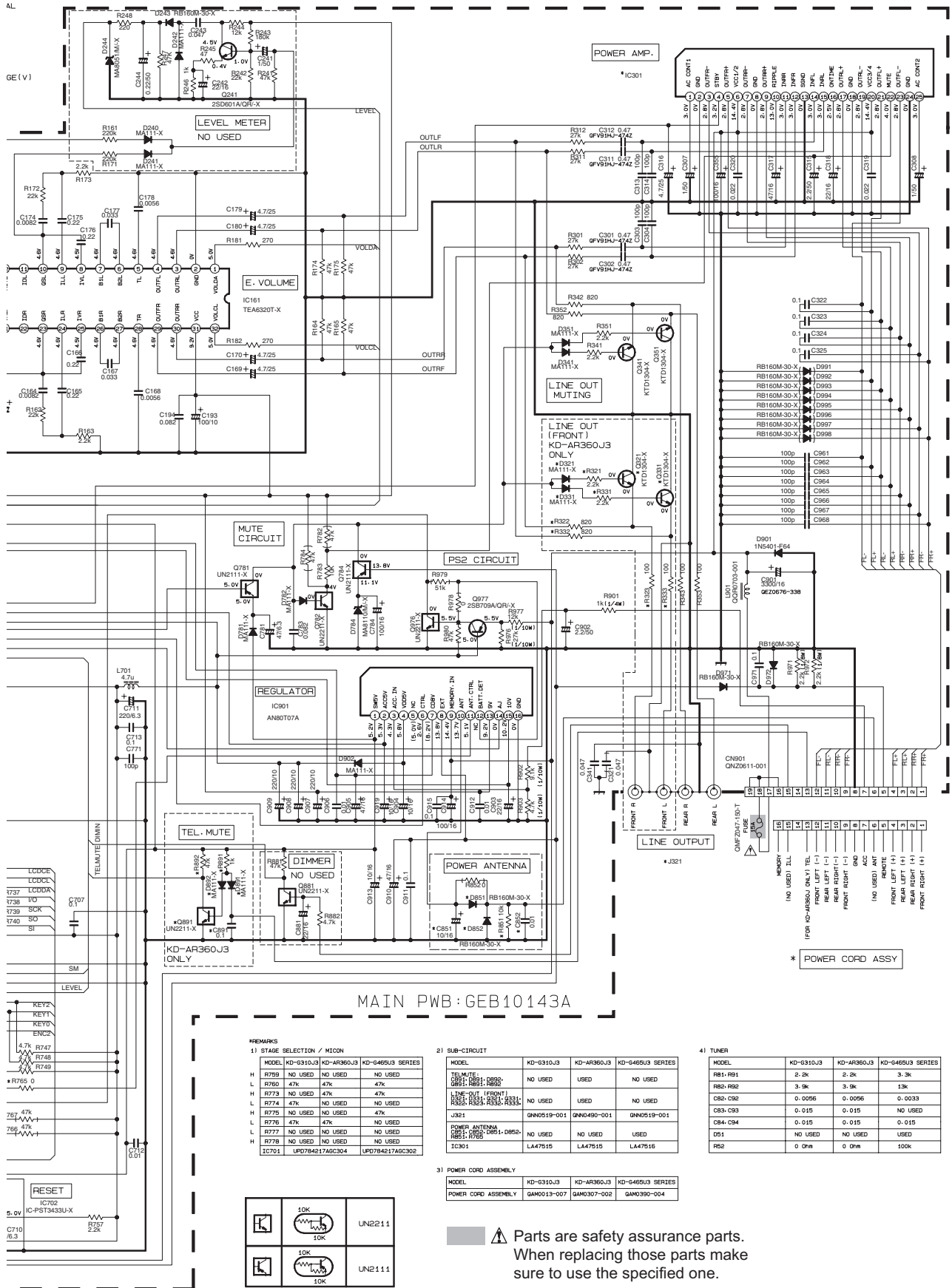


- NOTES**
- VOLTAGES ARE DC-MEASURED WITH A DIGITAL VOLT METER WITHOUT INPUT SIGNAL.
 - UNLESS OTHERWISE SPECIFIED, ALL RESISTORS ARE 1/16W ±5% METAL GLAZE RESISTOR. ALL CAPACITORS ARE 50V OR 25V CERAMIC CAPACITOR. ALL RESISTANCE VALUES ARE IN OHM. ALL CAPACITANCE VALUES ARE IN uF (P=pF) ALL E. CAPACITORS ARE SHOWN IN THE FORM OF CAPACITANCE(uF)/RATED VOLTAGE(V) T --- TANTALUM CAPACITOR.
 - COMPONENTS IN () INDICATE NOT USE.

Block diagram (For J3 version)



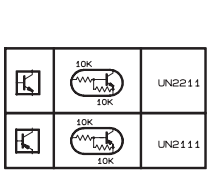




MAIN PWB: GEB10143A

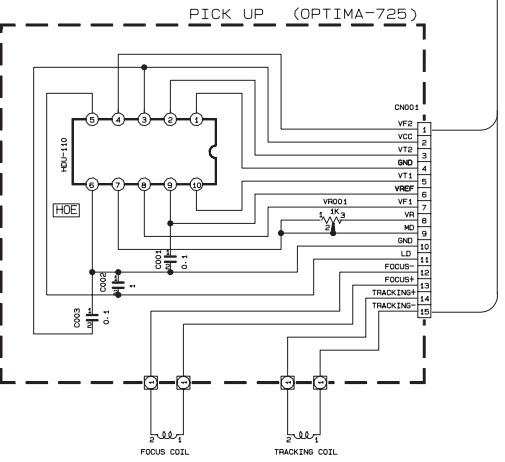
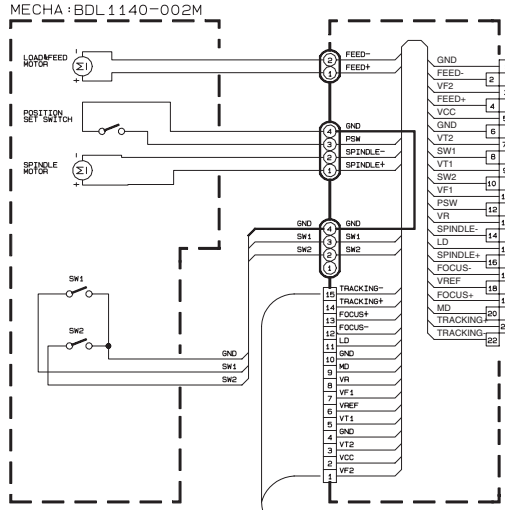
REMARKS

1) STAGE SELECTION / MICON				2) SUB-CIRCUIT				4) TUNER				
MODEL	KD-G310J3	KD-AR360J3	KD-G465U3 SERIES	MODEL	KD-G310J3	KD-AR360J3	KD-G465U3 SERIES	MODEL	KD-G310J3	KD-AR360J3	KD-G465U3 SERIES	
H	R759	NO USED	NO USED	TEL.MUTE	D851, D852, D853, D854, D855, D856, D857, D858, D859, D860, D861, D862, D863, D864, D865, D866, D867, D868, D869, D870, D871, D872, D873, D874, D875, D876, D877, D878, D879, D880, D881, D882, D883, D884, D885, D886, D887, D888, D889, D890, D891, D892, D893, D894, D895, D896, D897, D898, D899, D900	NO USED	USED	NO USED	R81-R81	2.2k	2.2k	3.3k
L	R760	47k	47k	J321	DNW019-001	DNW0490-001	DNW0519-001	R82-R82	3.9k	3.9k	13k	
H	R773	NO USED	47k	POWER ANTENNA	LA47515	LA47515	LA47515	C82-C82	0.0056	0.0056	0.0033	
L	R774	47k	NO USED	IC301	LA47515	LA47515	LA47515	C83-C83	0.015	0.015	NO USED	
H	R775	NO USED	NO USED					C84-C84	0.015	0.015	0.015	
L	R776	47k	47k					D51	NO USED	NO USED	USED	
L	R777	NO USED	NO USED					R52	0 Ohm	0 Ohm	100k	
H	R778	NO USED	NO USED									
L	R779	NO USED	NO USED									
H	IC701	UPD784217AFC304	UPD784217AFC302									

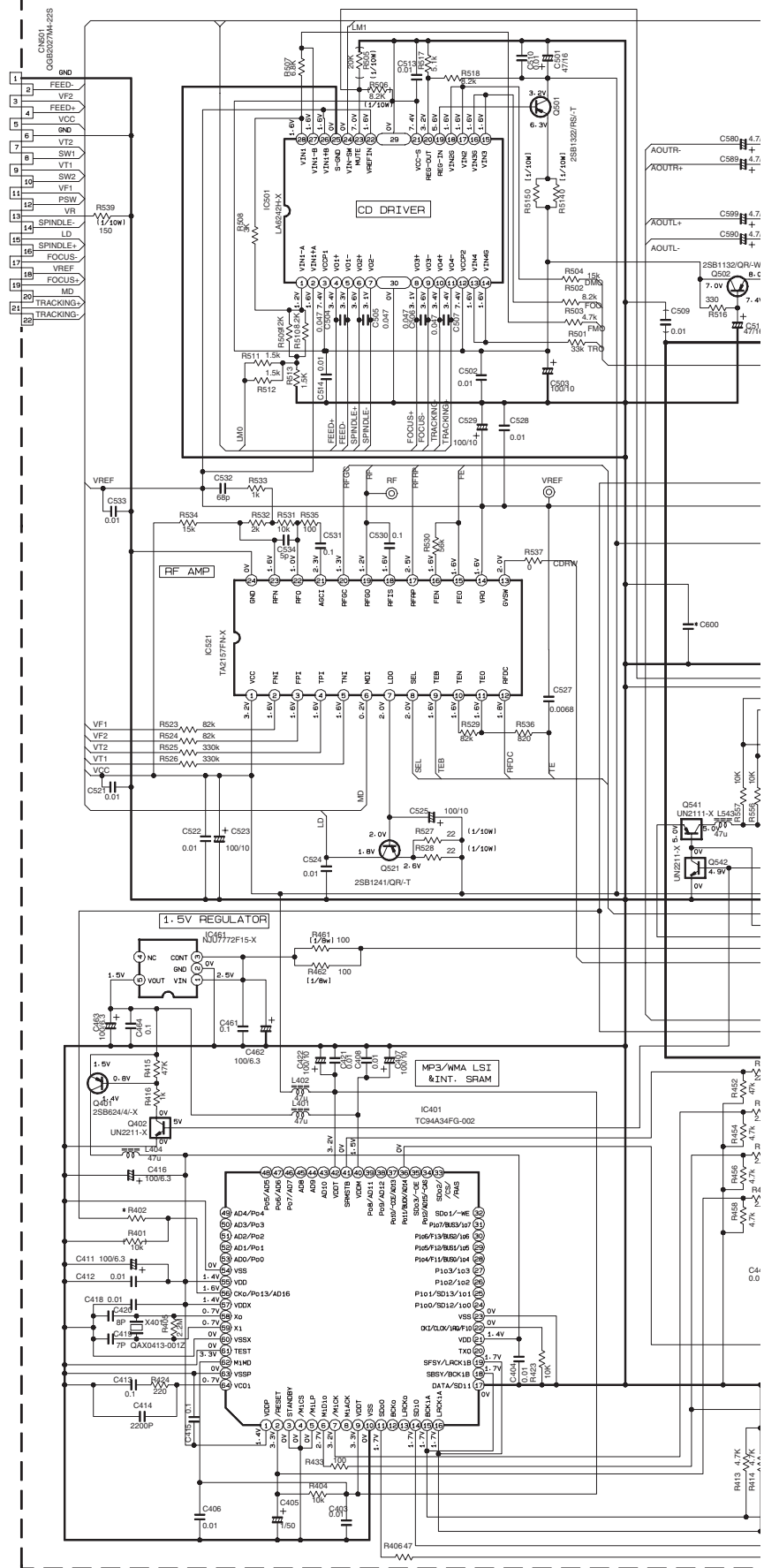


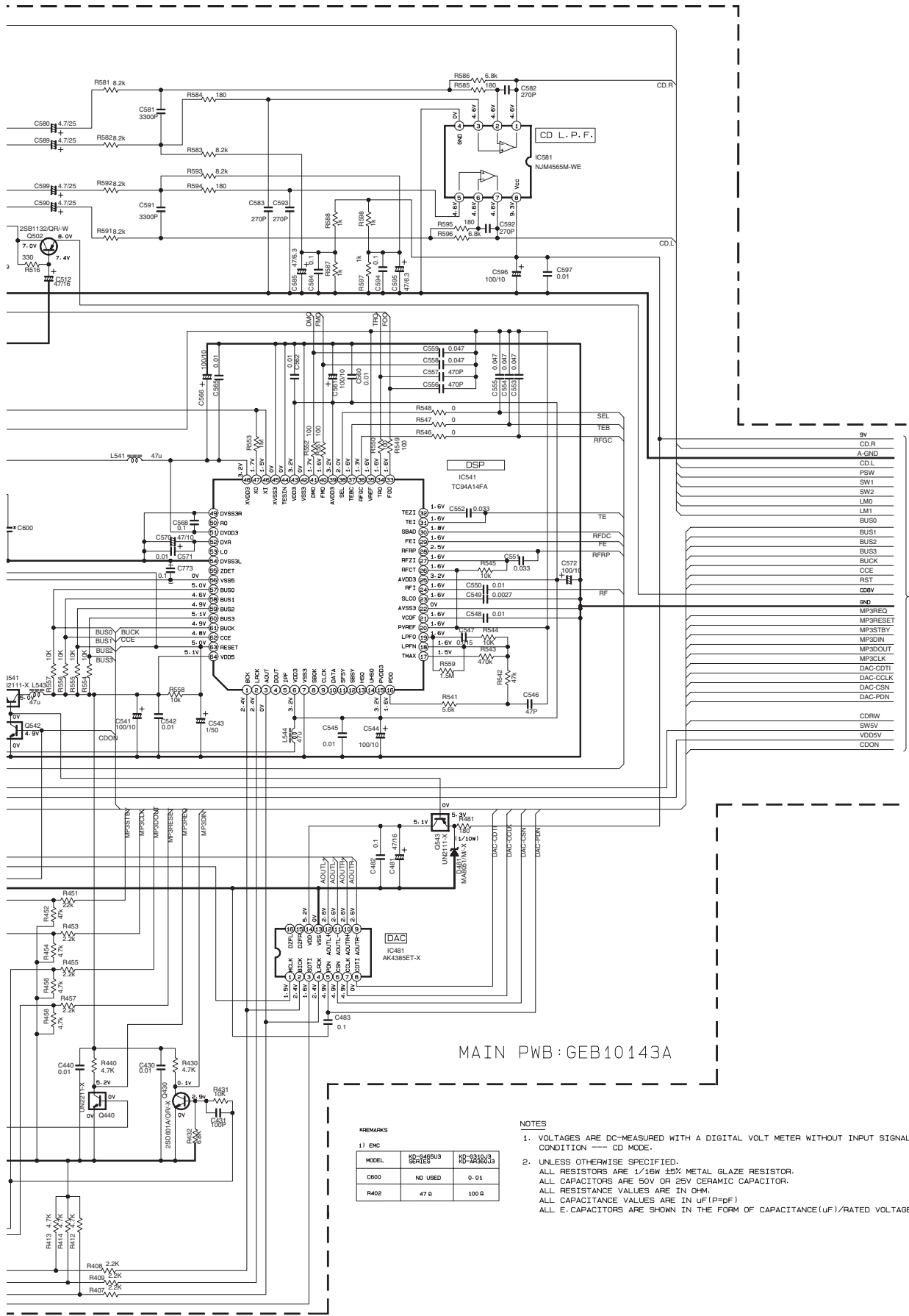
⚠ Parts are safety assurance parts. When replacing those parts make sure to use the specified one.

CD servo control section



	10K	UN2211
	10K	UN2111





(SHEET 1)

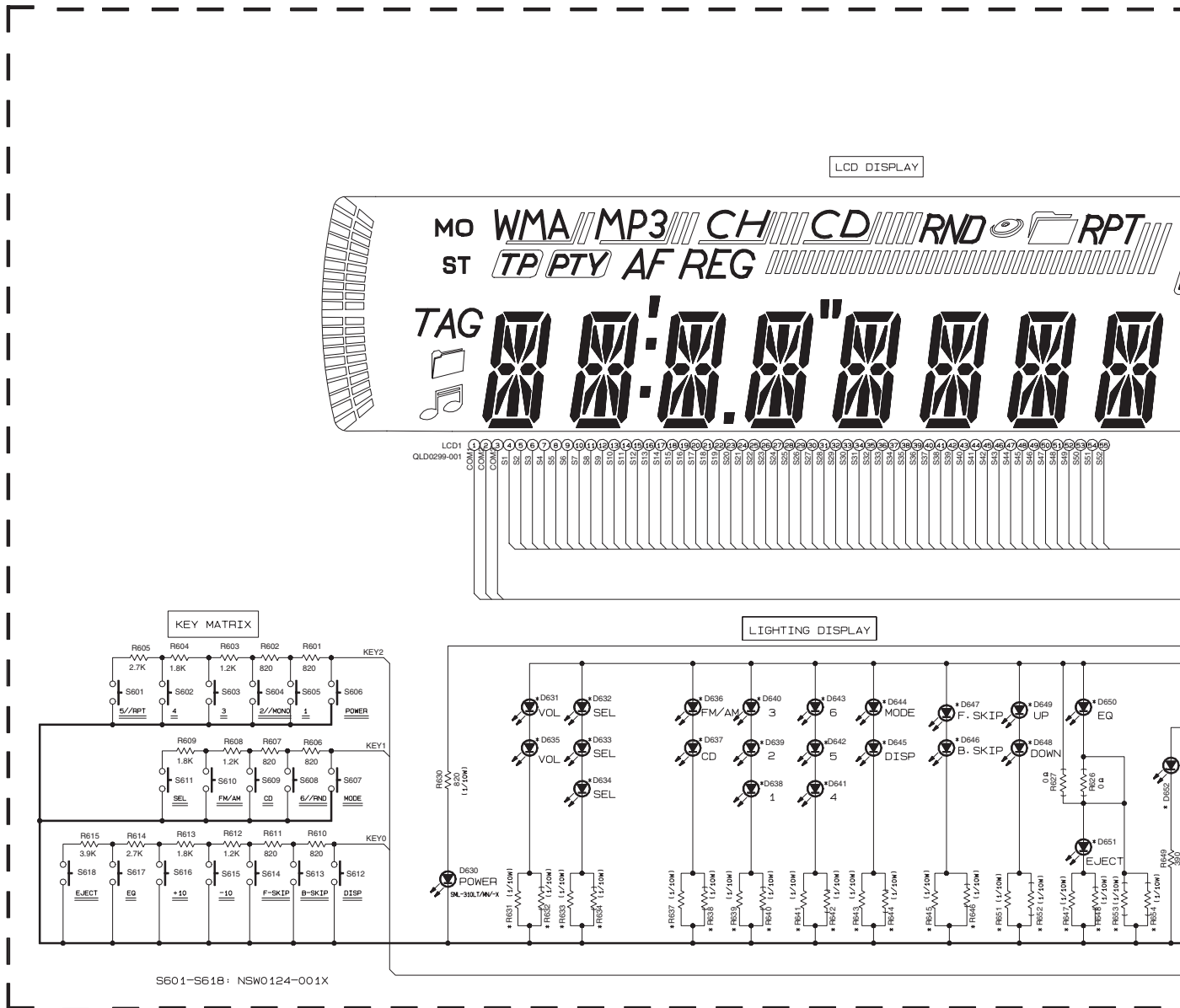
MAIN PWB: GEB10143A

REMARKS

MODEL	QTY	QTY
C600	NO USED	0.01
R402	47 Ω	100 Ω

- NOTES
- VOLTAGES ARE DC-MEASURED WITH A DIGITAL VOLT METER WITHOUT INPUT SIGNAL CONDITION --- CD MODE.
 - UNLESS OTHERWISE SPECIFIED, ALL RESISTORS ARE 1/16W ±5% METAL GLAZE RESISTOR. ALL CAPACITORS ARE 50V OR 25V CERAMIC CAPACITOR. ALL RESISTANCE VALUES ARE IN OHM. ALL CAPACITANCE VALUES ARE IN uF (P=PF) ALL E. CAPACITORS ARE SHOWN IN THE FORM OF CAPACITANCE(uF)/RATED VOLTAGE(V)

■ LCD & Key control section



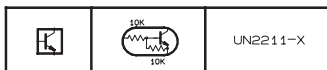
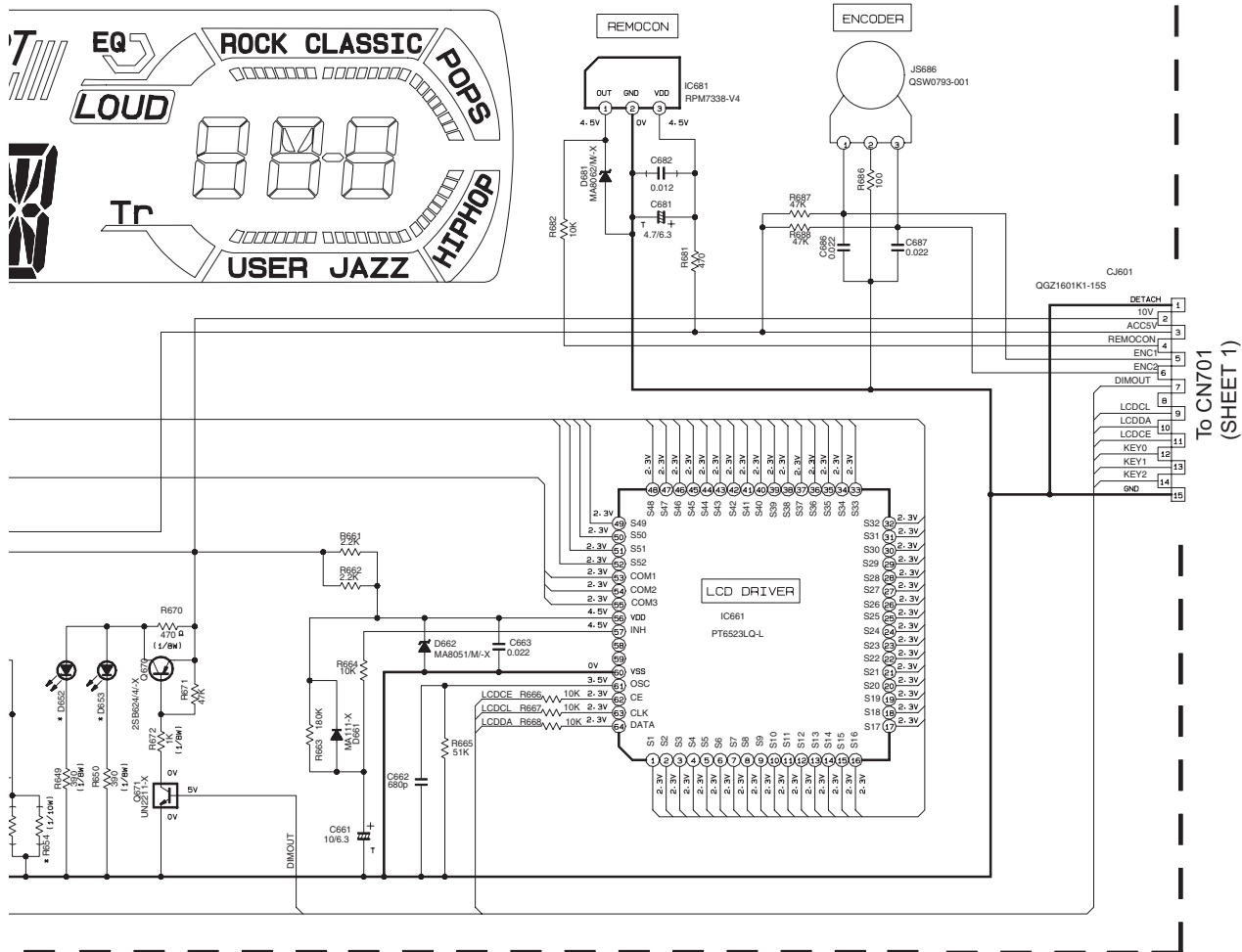
S601-S615: NSW0124-001X

***REMARKS**

	MODEL	KD-G310J3, KD-G465U3 SERIES	KD-AR360J3
	LCD1	QLD0299-001	QLD0299-001
	D631-D635, D638-D643, D646-D651	SML-310VT/JK/-X	SML-310VT/JK/-X
FM/AM & CD	D636, D637	SML-310VT/JK/-X	LNJ3086B1/1-3/X
MODE & DISP	D644, D645	SML-310VT/JK/-X	SML-310VT/JK/-X
	D652, D653	NSPW310BS/BRS/	NSPW310BS/BRS/
POWER	R630	820	820
VOL	R631	470	470
SEL	R633	680	680
FM/AM & CD	R637	820	470
	1, 2, 3	R639	330
	4, 5, 6	R641	330
MODE & DISP	R643	470	470
(>>1, 1<<)	R645	470	470
EQ, EJECT	R647	470	470
(UP, DOWN)	R651	470	470

SML-310VT/JK/-X = RED LED
LNJ3086B1/1-3/X = GREEN LED

SW PWB : GEB10100A

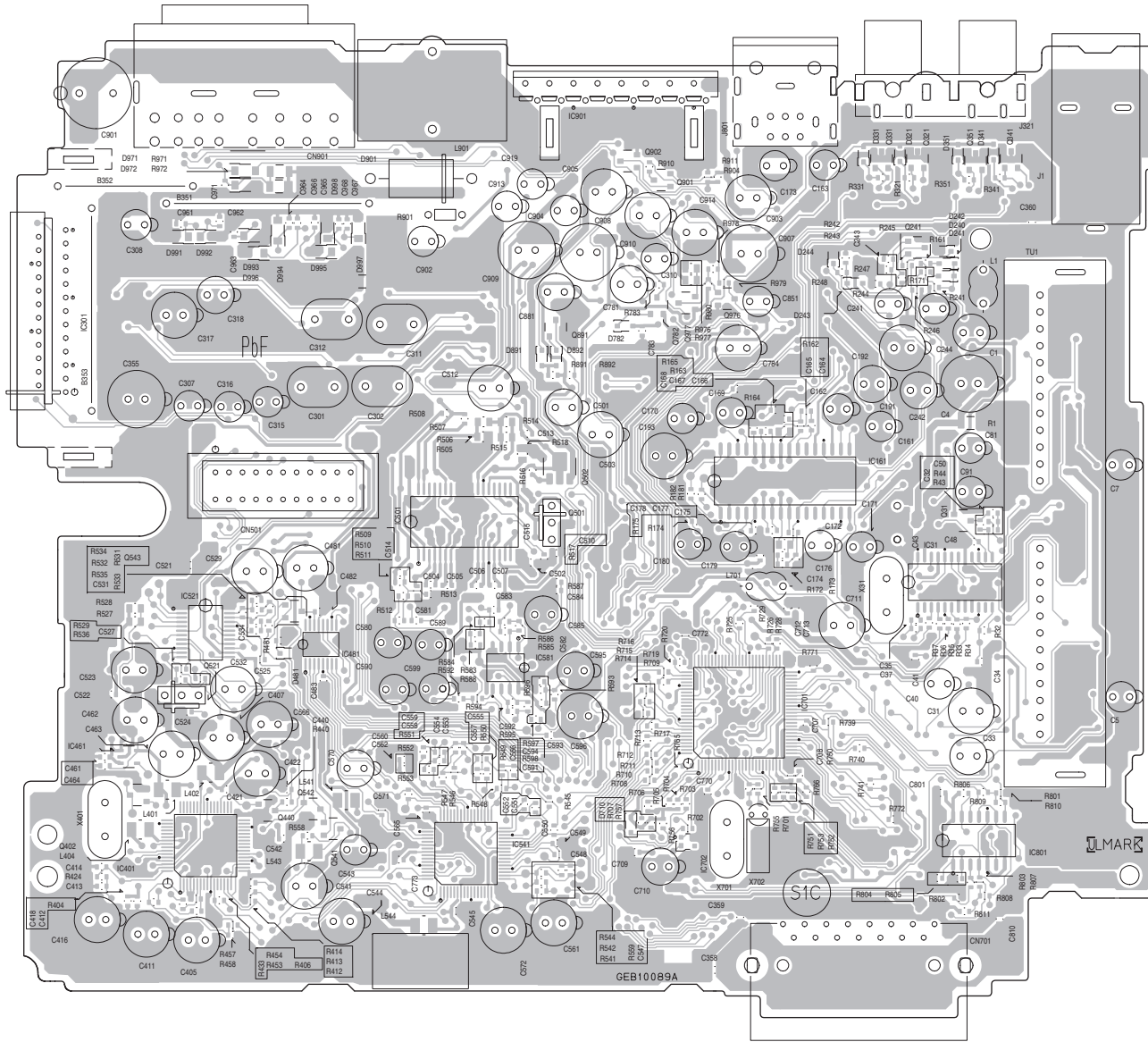


- NOTES**
- VOLTAGES ARE DC-MEASURED WITH A DIGITAL VOLT METER WITHOUT INPUT SIGNAL.
 - UNLESS OTHERWISE SPECIFIED.
ALL RESISTORS ARE 1/16W ±5% METAL GLAZE RESISTOR.
ALL CAPACITORS ARE 50V OH 25V CERAMIC CAPACITOR.
ALL RESISTANCE VALUES ARE IN OHM.
ALL CAPACITANCE VALUES ARE IN uF(P=pF)
ALL E. CAPACITORS ARE SHOWN IN THE FORM OF CAPACITANCE(uF)/RATED VOLTAGE(V)
T --- TANTALUM CAPACITOR.
 - COMPONENTS IN () INDICATE NOT USE.

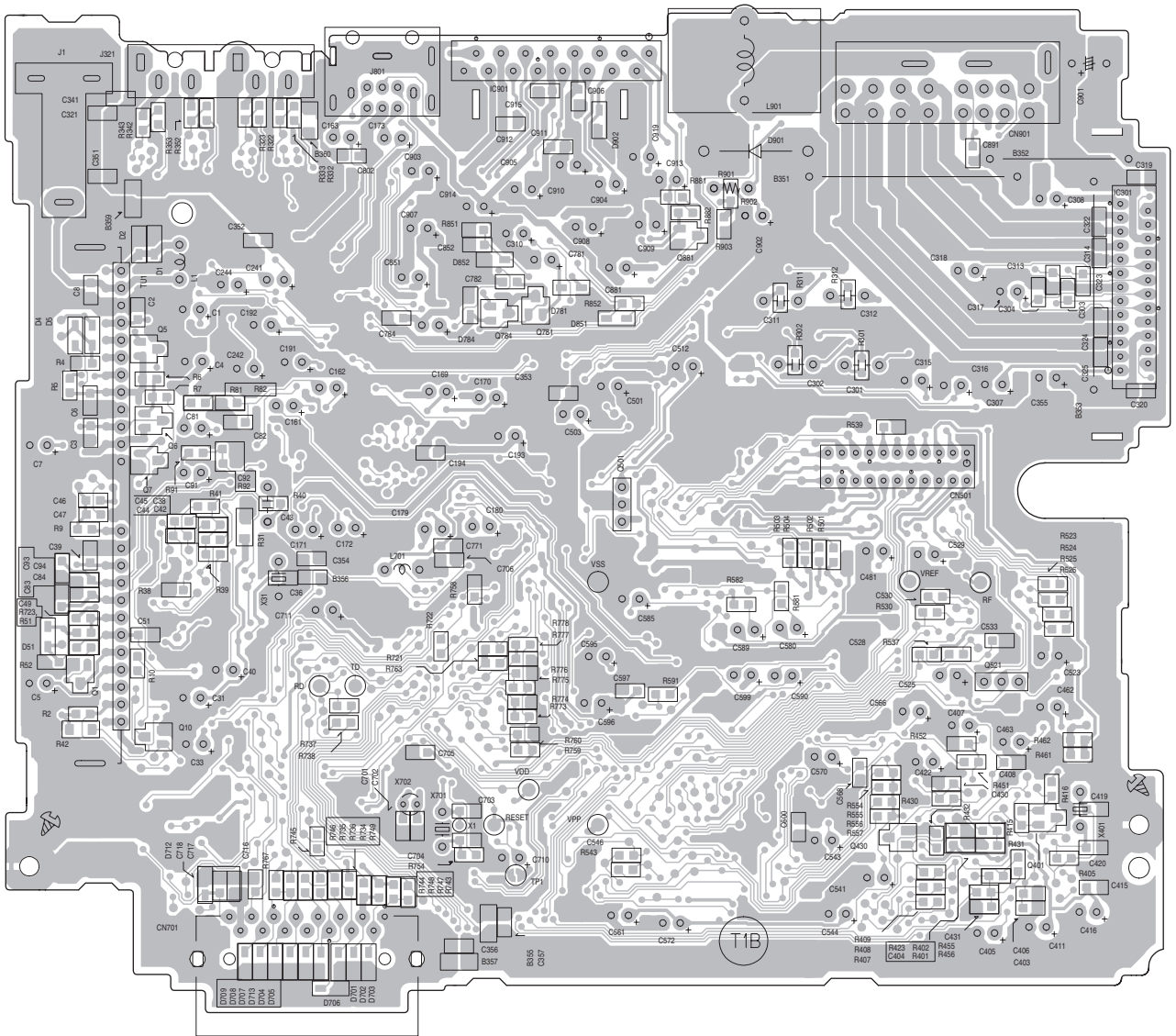
Printed circuit boards

■ Main board (For J version)

Forward side

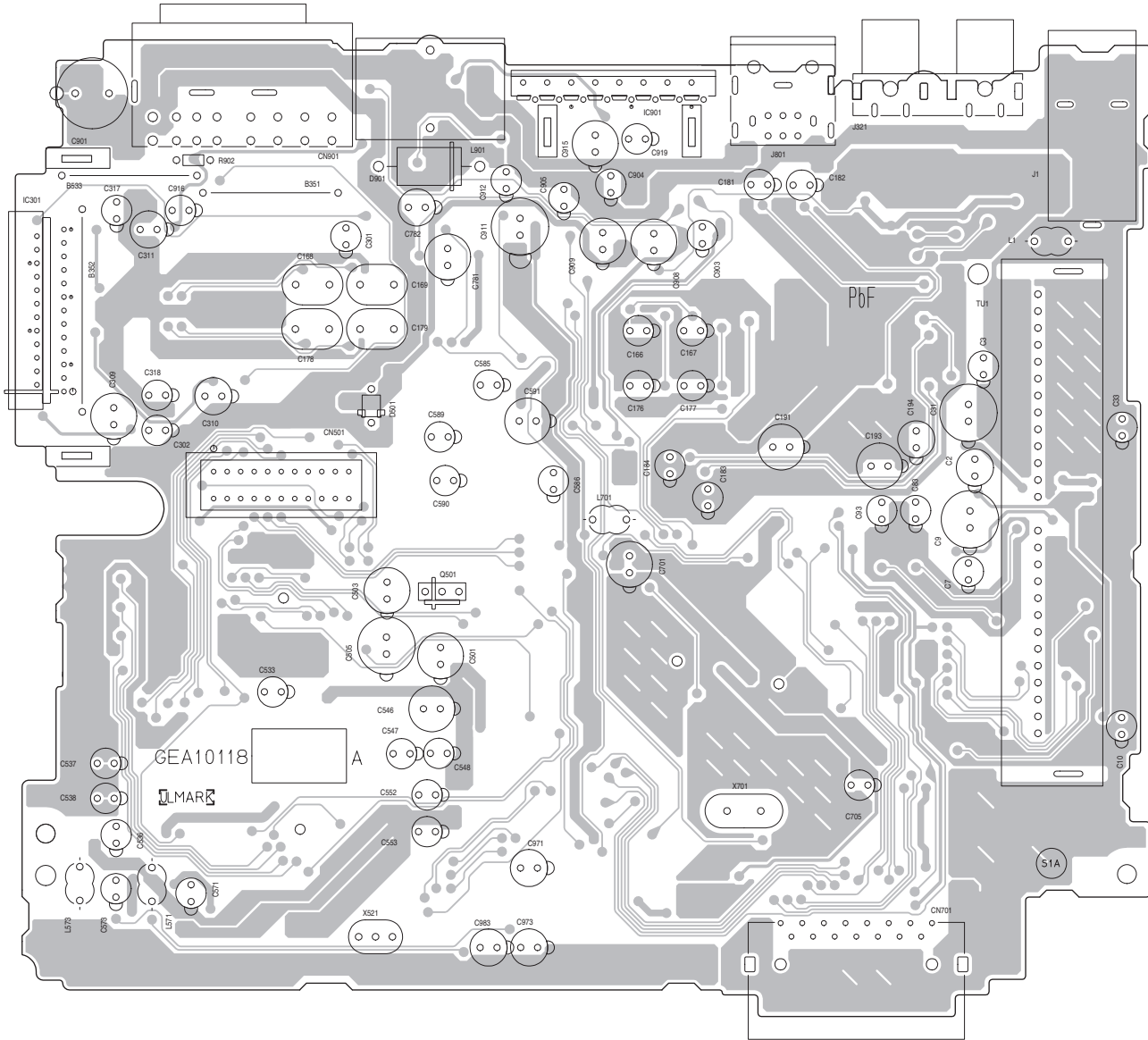


Reverse side

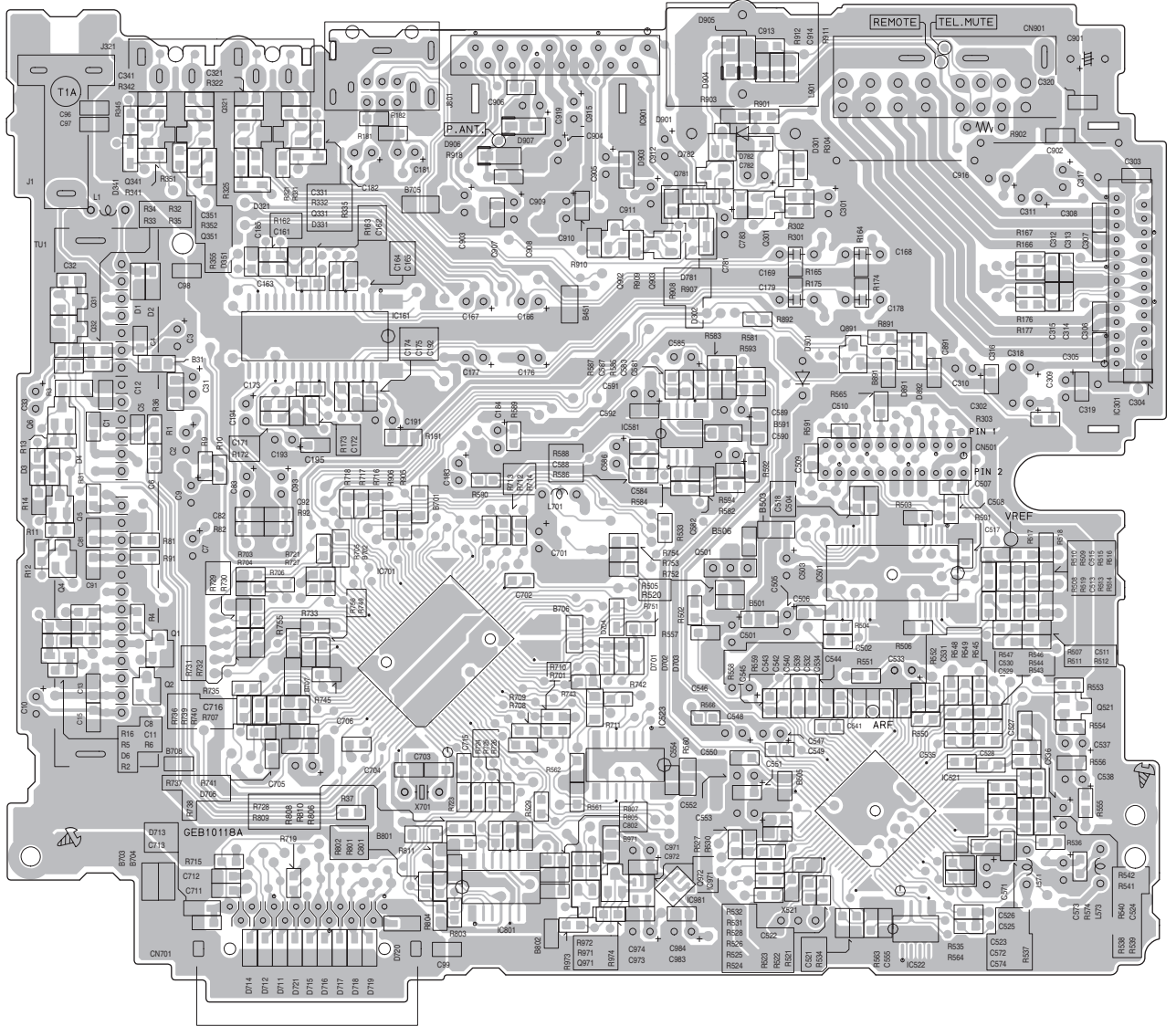


■ Main board (For J2 version)

Forward side

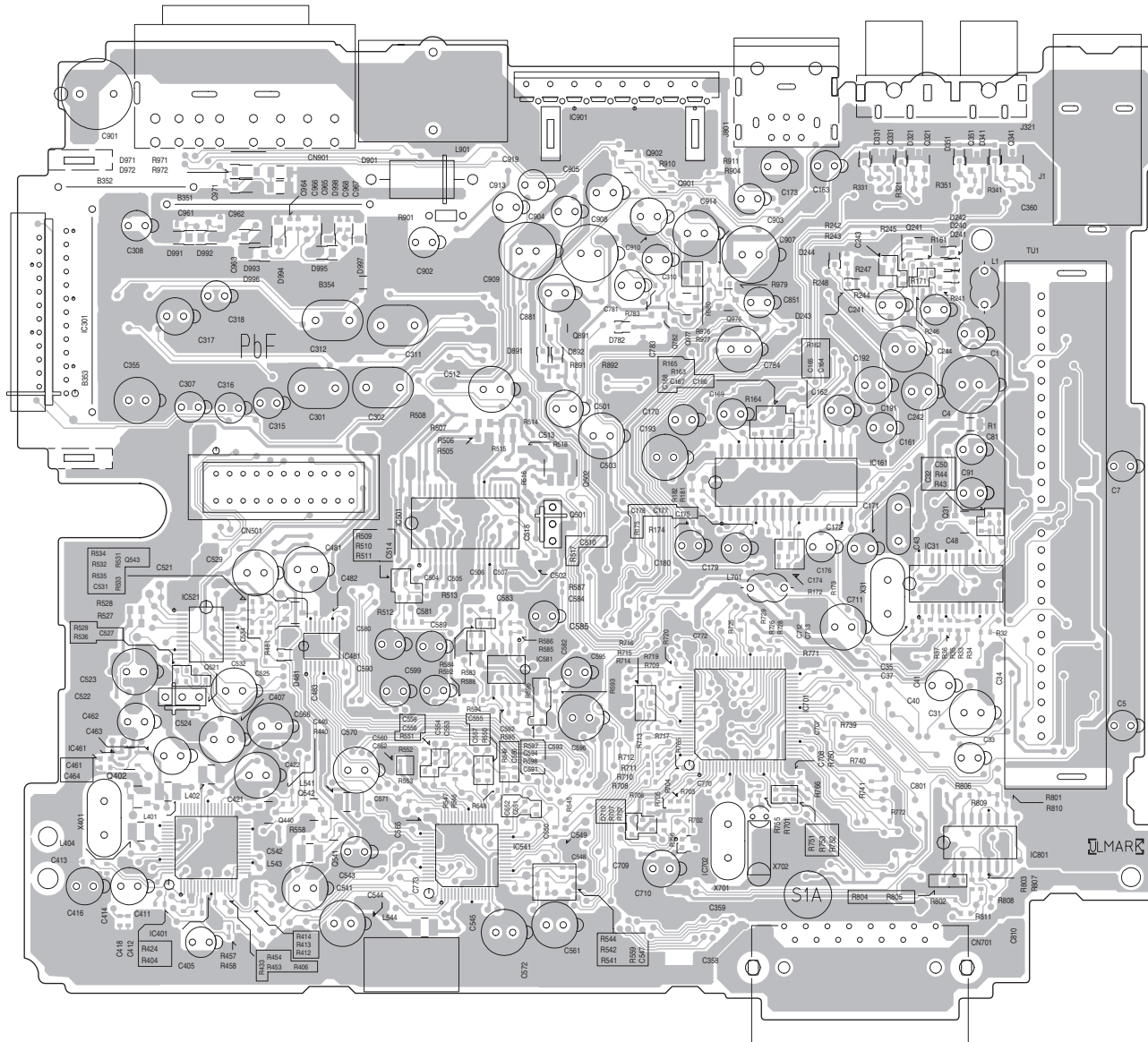


Reverse side

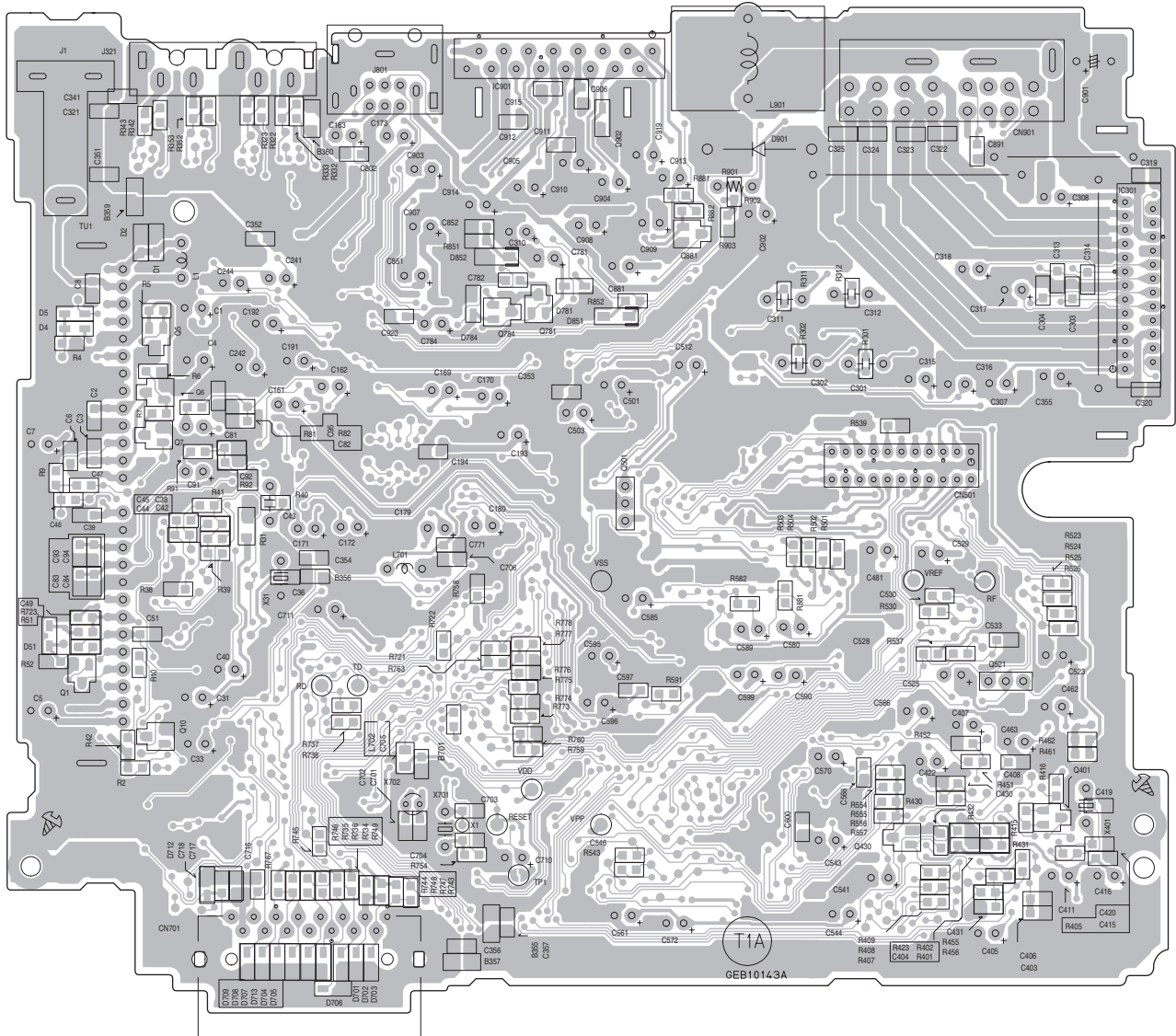


■ Main board (For J3 version)

Forward side

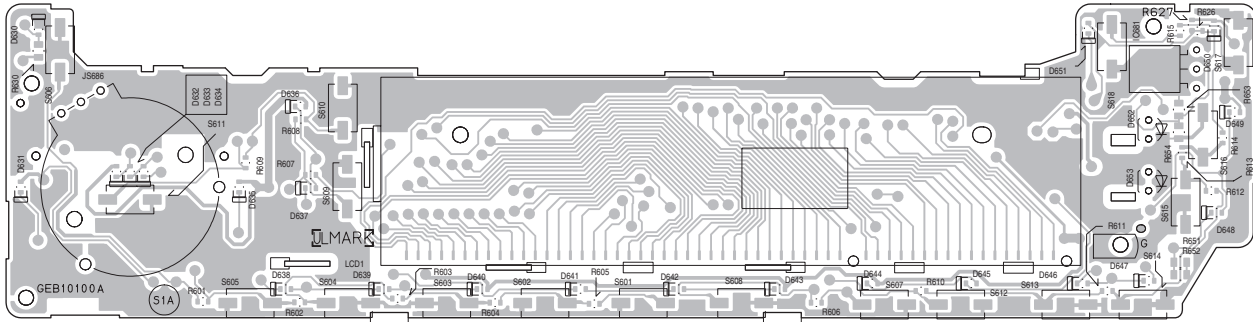


Reverse side

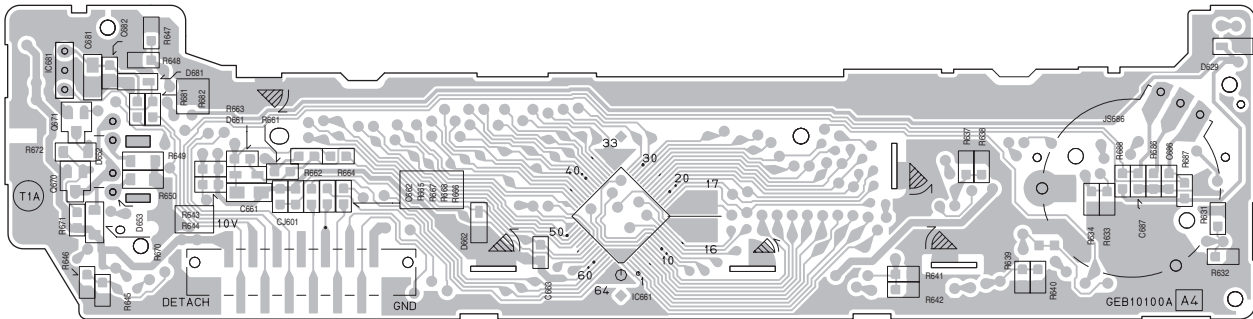


■ Switch board (Common)

Forward side



Reverse side



< MEMO >

JVC

Victor Company of Japan, Limited

AV & MULTIMEDIA COMPANY CAR ELECTRONICS CATEGORY 10-1,1chome,Ohwatari-machi,Maebashi-city,371-8543,Japan

(No.MA110BSCH)



Printed in Japan
VPT